



DATA SHEET

7P + 15P SATA-Connector for Cable Assembly

Serie: T12003

7P + 15P SATA-Connector for Cable Assembly

Serie No.: **T12003**

DRW:	Jason	CHKD	Wilson	MATL:	Wilson	TOLERANCE	Mason	DATE	18.03.2018
APPD:	Schumi			FINISH	Jamy		Sheet No.		1 from 5

Customer:

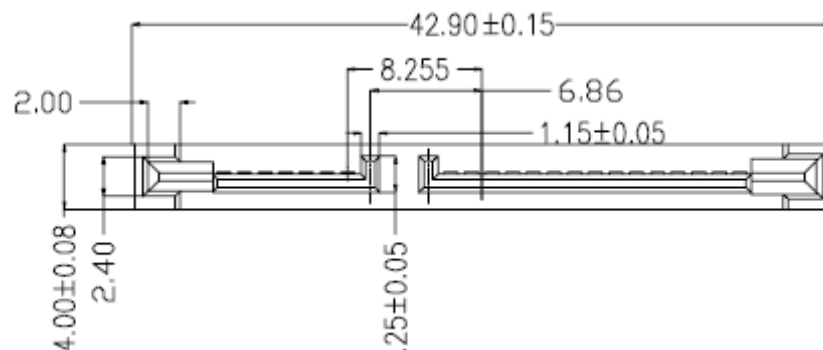
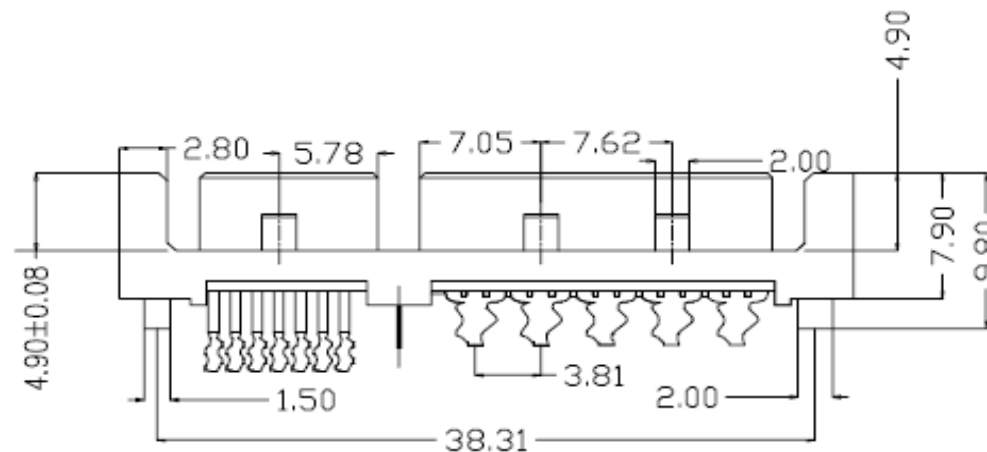
EDCON-COMPONENTS



Technical Description

Material Housing:	LCP (UL94V-0)
Colour of Body:	Black
Contact Material:	Phosphor Bronze 0,25mm
Board Lock Material:	Brass C2680R, Thickness 0,40mm
Contact Plating:	3µAU over 15µ Tin on contact Area 100µ Min Tin-Lead plating on Solder Terminals
Board Lock Plating:	100µ Tin-Lead on Solder terminals 50µ min Nickel under plating overall
Current Rating:	1,5A
Voltage Rating:	40VAC
Contact Resistance:	30mΩ max.
Withstanding Voltage:	500VAC
Resistance:	1000MΩ min.
Temperature Range:	-20°C to + 85°C

Technical Drawing (mm)



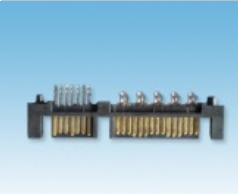
7P + 15P SATA-Connector for Cable Assembly

Part No.: **T12003**

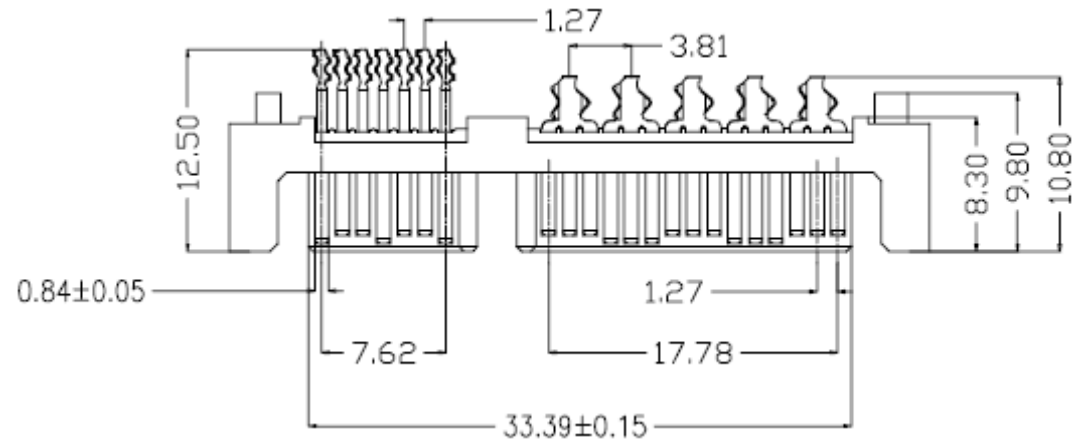
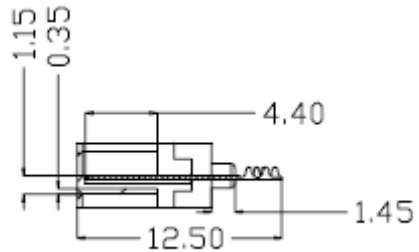
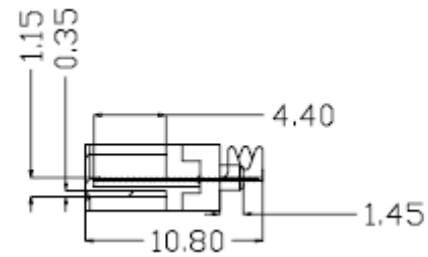
Customer:

DRW:	Jason	CHKD	Wilson	MATL:	X=	X.X=	X.XX=	X.XXX=	Angle
APPD:	Schumi			FINISH	±0,35	±0,25	±0,20	±0,15	±5°
					Wilson	TOLERANCE	Mason	DATE	18.03.2018
					Jamy			Sheet No.	2 from 5

EDCON-COMPONENTS



Technical Drawing (mm)



**7P + 15P SATA-Connector for
Cable Assembly**

Part No.: **T12003**

Customer:

DRW:	Jason	CHKD	Wilson	MATL:	Wilson	TOLERANCE	Mason	DATE	18.03.2018
APPD:	Schumi			FINISH	Jamy		Sheet No.	3 from 5	

EDCON-COMPONENTS



Ordering Informations

Customer	Connector No of Pos 1	Connector No of Pos 2	Contact Plating	Body Colour	Body Material	Special function	ROHS	Packing Code		
----------	-----------------------	-----------------------	-----------------	-------------	---------------	------------------	------	--------------	--	--

T12003	7	15	G0	BK	LC	N	R	TY		
---------------	----------	-----------	-----------	-----------	-----------	----------	----------	-----------	--	--

7= 7Pos. of Contact		G0= Gold Flash	BK= Black	LC= LCP	N= No special function	R= ROHS Conform	TY= Tray Package
		GA= 5µ Gold Flash				N= NON ROHS Conform	TR= Tape/Reel Package
	15= 15Pos. of Contact	GB= 10µ Gold Flash					TC= Tape/Reel w. Pic and Place CAP Package TOP-SIDE
							IV= Individual Package

7P + 15P SATA-Connector for Cable Assembly

Part No.: **T12003**

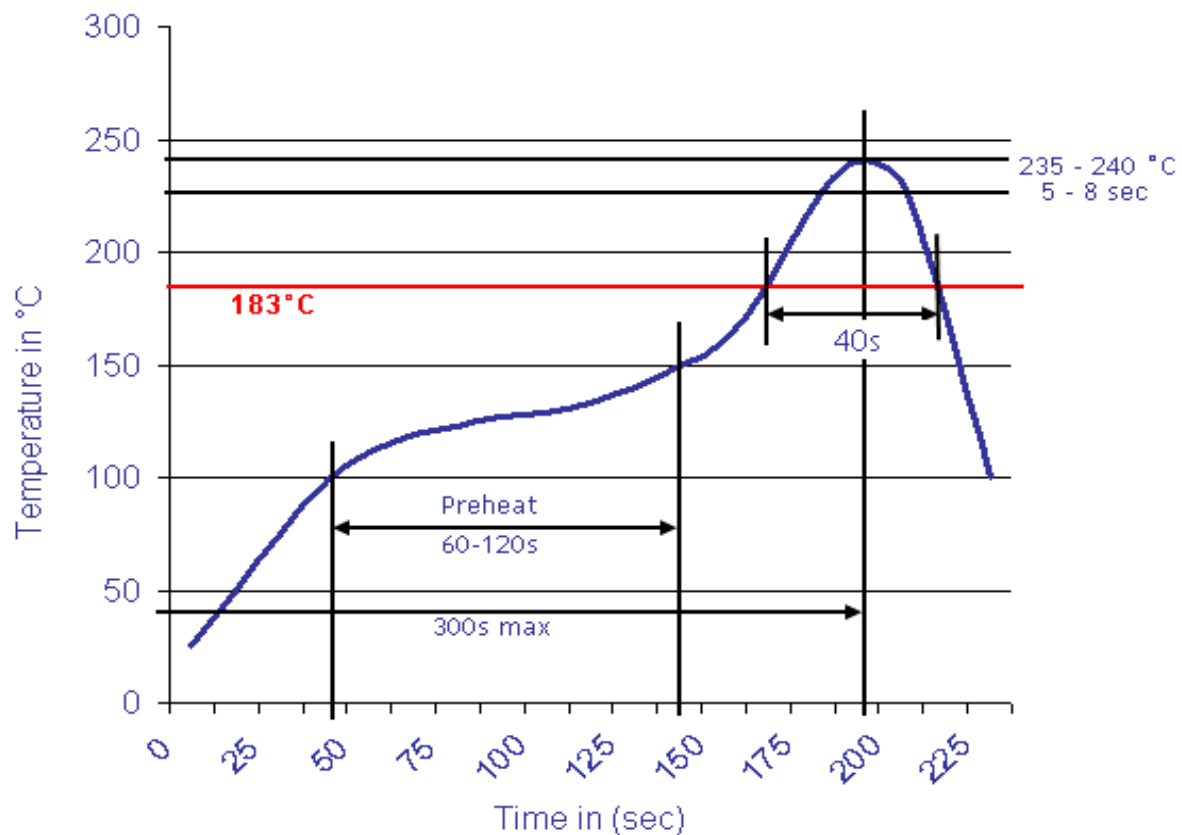
DRW:	Jason	CHKD	Wilson	MATL:	Wilson	TOLERANCE	Mason	DATE	18.03.2018
APPD:	Schumi			FINISH	Jamy		Sheet No.		4 from 5

Customer:



Soldering Profile Curve

Classification Reflow Profile (JEDEC J-STD-020C)



7P + 15P SATA-Connector for Cable Assembly	
Part No.:	T12003
Customer:	

DRW:	Jason	CHKD	Wilson	MATL:	Wilson	TOLERANCE	Mason	DATE	18.03.2018
APPD:	Schumi			FINISH	Jamy		Sheet No.		5 from 5