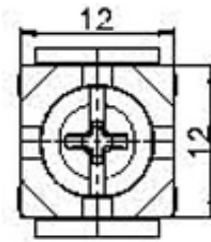
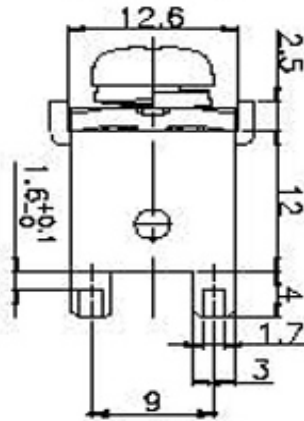
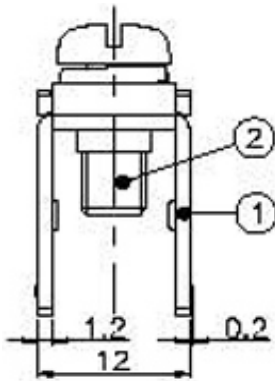




Technical Dimension



Material

Material: Brass, Tin plated

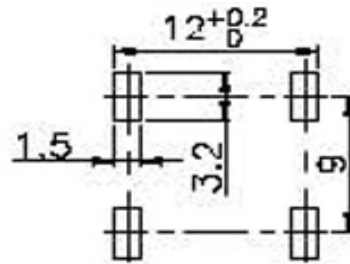
Screw: M5

Material Screw: Steel, Nickel plated

Rated Current: 60A

Nut

PCB Board Drawing



Ordering Information

Serie	Material	Surface	Screw	Special	ROHS	Packing
A25071	BR	TN	NO	M5	R	BU

BR= Brass	TN= Tin plated	NO= Screw Not Mounted	M5= Screw size	R= ROHS Conform	BU= Bulk Ware
		YE= Screw Fixed on Terminal		N= NON ROHS	

						PCB Power Terminal	
						Part No.: A25071	
						Customer:	
DRW:	Jason	CHKD	Jules	MATL:	Wu	DATE	17.11.2017
APPD:	Join			FINISH	Shieh	Sheet	1 from 1