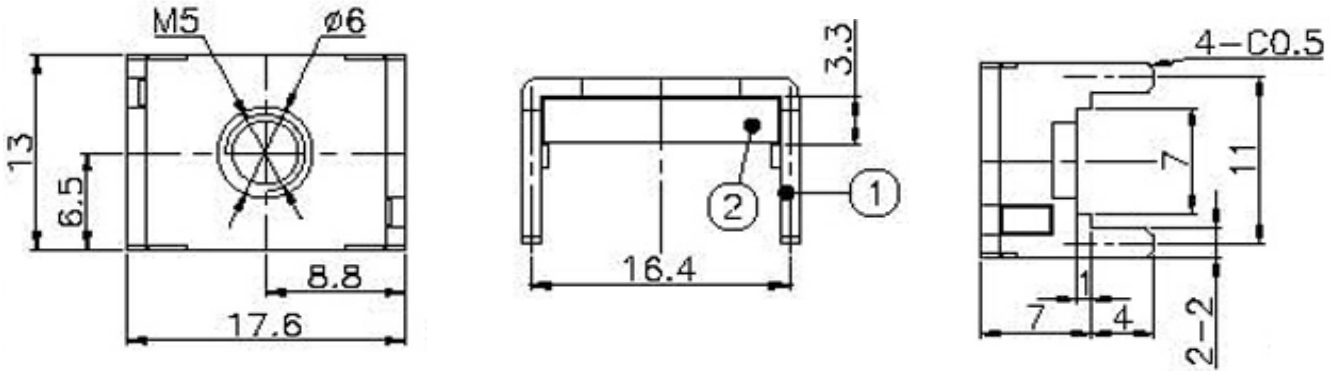




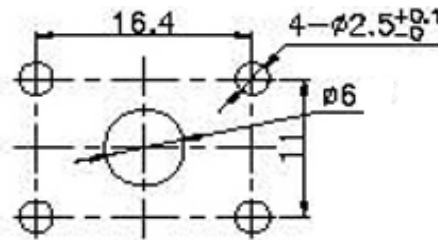
Technical Dimension



Material

Material	Brass, Tin plated
Screw:	M5
Material Screw:	
Rated Current:	50A
Nut	Brass, Nickel plated

PCB Board Drawing



Ordering Information

Serie	Material	Surface	Screw	Special	ROHS	Packing
A25068	BR	TN	NO	M5	R	BU

BR= Brass	TN= Tin plated	NO= Screw Not Mounted	M5= Screw size	R= ROHS Conform	BU= Bulk Ware
		YE= Screw Fixed on Terminal		N= NON ROHS	

						PCB Power Terminal	
						Part No.: A25068	
						Customer:	
DRW:	Jason	CHKD	Jules	MATL:	Wu	DATE	17.11.2017
APPD:	Join			FINISH	Shieh	Sheet	1 from 1