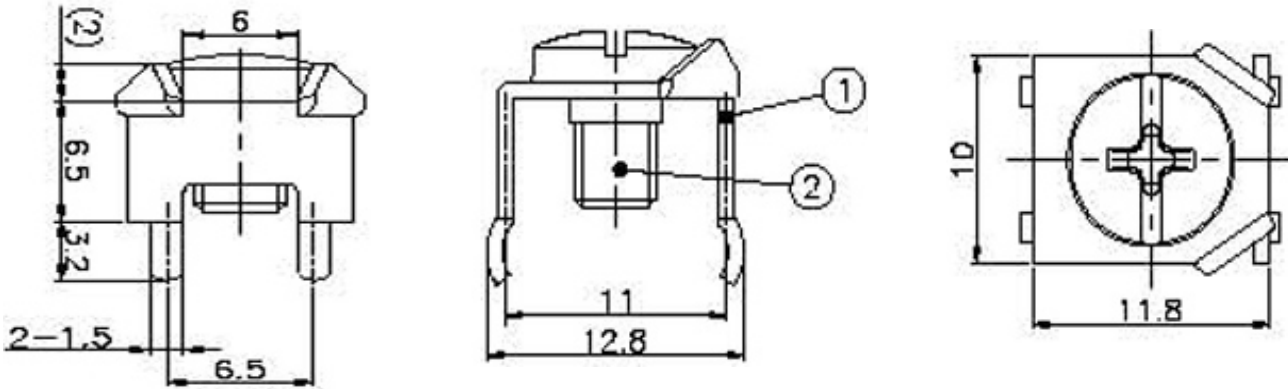




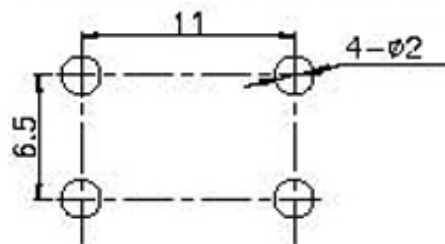
Technical Dimension



Material

Material: Brass, Tin plated
 Screw: M3/M3.5/M4
 Material Screw: Brass
 Rated Current: 20A

PCB Board Drawing



Ordering Information

Serie	Material	Surface	Screw	Special	ROHS	Packing
A25049	BR	TN	NO	M3	R	BU

BR= Brass	TN= Tin plated	NO= Screw Not Mounted	M3= Screw size	R= ROHS Conform	BU= Bulk Ware
	NI= Nickel plated	YE= Screw Fixed on Terminal	M3.5= Screw size	N= NON ROHS	
			M4= Screw size		

PCB Power Terminal

Part No.: **A25049**

Customer:

DRW:	Jason	CHKD	Jules	MATL:	Wu	DATE	17.11.2017
APPD:	Join			FINISH	Shieh	Sheet	1 from 1