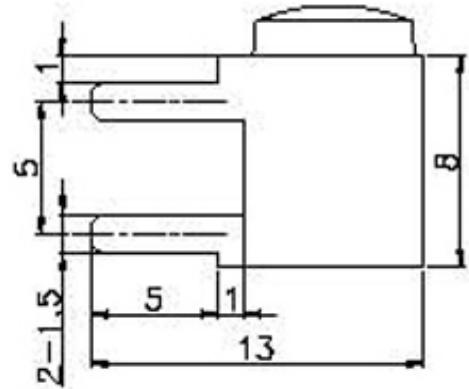
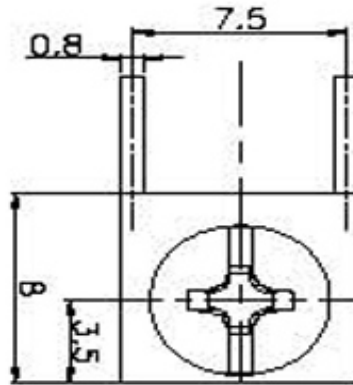
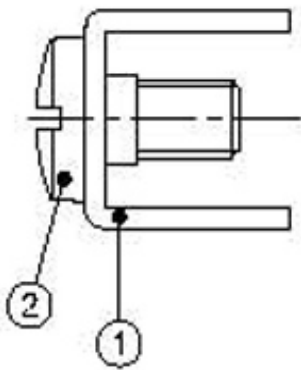




Technical Dimension

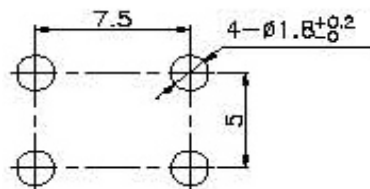


Material

Material: Brass, Tin plated

Screw: M3
Material Screw: Brass
Rated Current: 15A

PCB Board Drawing



Ordering Information

Serie	Material	Surface	Screw	ROHS	Packing
A25035	BR	TN	NO	R	BU

BR = Brass	TN = Tin plated	NO = Screw Not Mounted	R = ROHS Conform	BU = Bulk Ware
	NI = Nickel plated	YE = Screw Fixed on Terminal	N = NON ROHS	

PCB Power Terminal	
Part No.:	A25035
Customer:	

DRW:	Jason	CHKD	Jules	MATL:	Wu	DATE	17.11.2017
APPD:	Join			FINISH	Shieh	Sheet	1 from 1