

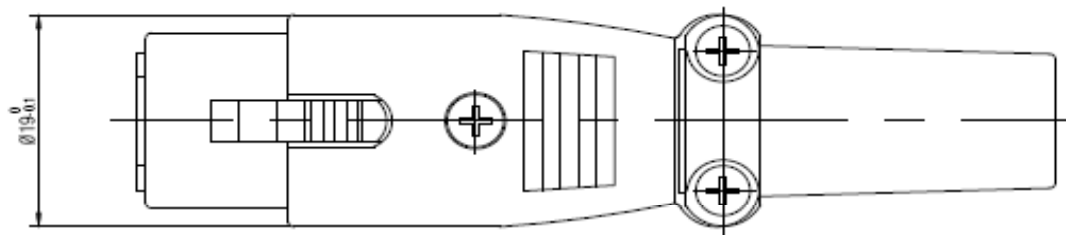
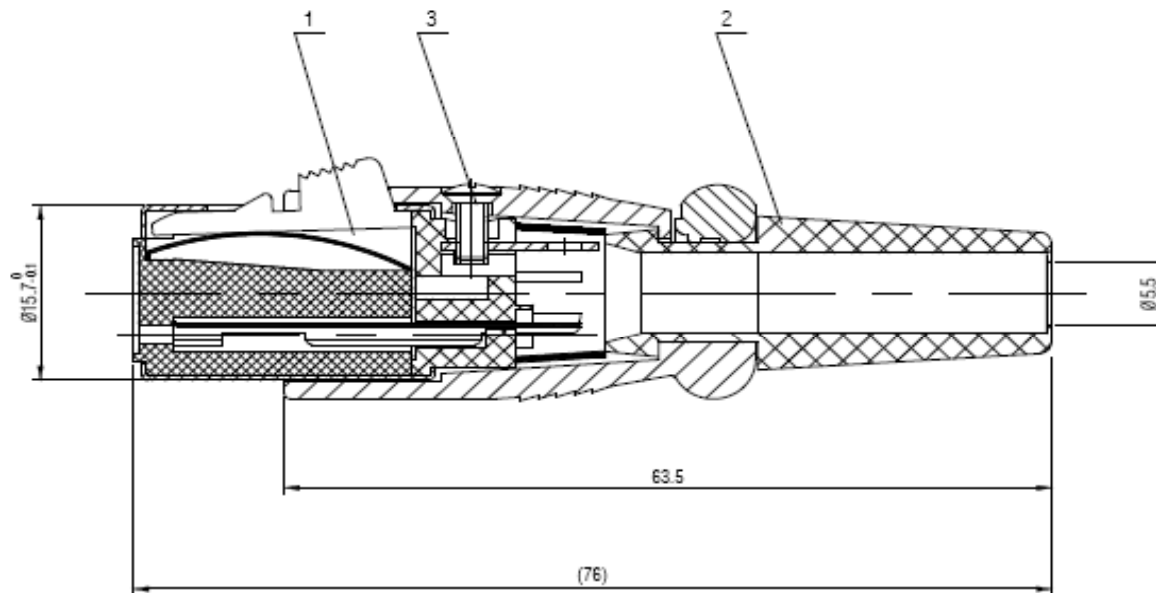
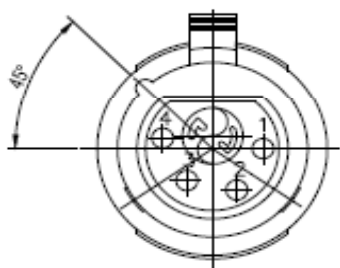
EDCON-COMPONENTS



Technical Discription

Contact Resistance: <math><7\text{m}\Omega</math>
 Rated Current: 10A
 Rated Voltage: 50V
 Screw: M2,5x6mm

Drawing



**4 Pos. XLR-Connector
Female Type**

Part No.:

Customer:

| | | | | | | | | | |
|-------|--------|------|--------|--------|--------|-----------|-----------|----------|------------|
| DRW: | Jason | CHKD | Wilson | MATL: | Wilson | TOLERANCE | Mason | DATE | 11.11.2017 |
| APPD: | Schumi | | | FINISH | Jamy | | Sheet No. | 1 from 2 | |

EDCON-COMPONENTS



Ordering Informations

Terminal

| Serie | Housing Plating | Contact Plating | Screw Plating | Strain Relief | ROHS | Packing |
|---------|--------------------|---------------------------|--------------------|-------------------|-----------------------------------|---------------------------|
| T13R013 | BK | TN | BK | BK | R | BU |
| | BK = Black | TN = Tin Cerium | BK = Black | BK = Black | R = ROHS Conform | BU = Bulk- Ware |
| | NI = Nickel | GO = Gold | NI = Nickel | | N = NON ROHS Conform | |

**4 Pos. XLR-Connector
Female Type**

Part No.: **T13R013**

| | | | | | | | | | | |
|-------|--------|------|--------|--------|--------|-----------|-----------|----------|------------|-----------|
| DRW: | Jason | CHKD | Wilson | MATL: | Wilson | TOLERANCE | Mason | DATE | 11.11.2017 | Customer: |
| APPD: | Schumi | | | FINISH | Jamy | | Sheet No. | 2 from 2 | | |