

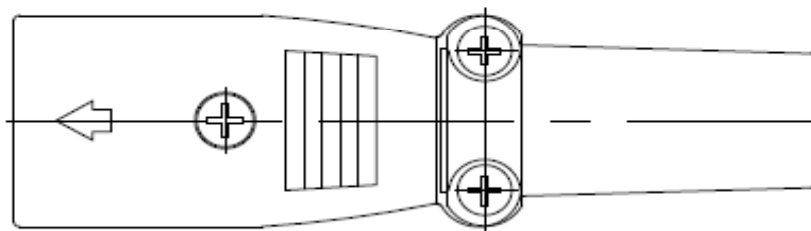
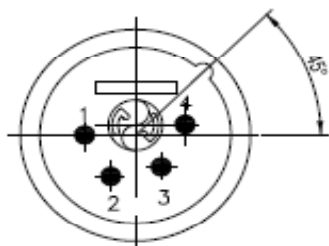
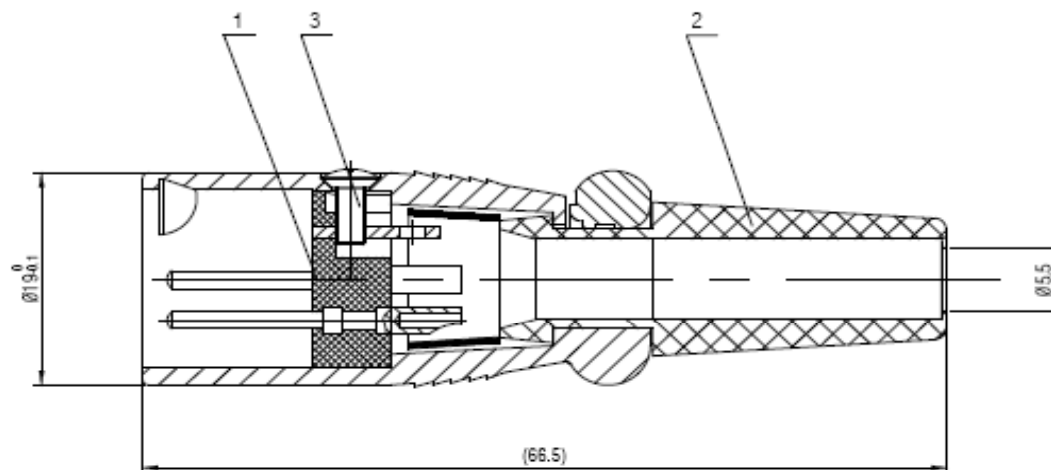
# EDCON-COMPONENTS



## Technical Discription

Contact Resistance: <math><7\text{m}\Omega</math>  
 Rated Current: 10A  
 Rated Voltage: 50V  
 Screw: M2,5x6mm

## Drawing



**4 Pos. XLR-Connector  
Male Type**

Part No.:

Customer:

DRW:	Jason	CHKD	Wilson	MATL:	Wilson	TOLERANCE	Mason	DATE	11.11.2017
APPD:	Schumi			FINISH	Jamy		Sheet No.	1 from 2	

# EDCON-COMPONENTS



## Ordering Informations

### Terminal

Serie	Housing Plating	Contact Plating	Screw Plating	Strain Relief	ROHS	Packing
T13R012	BK	TN	BK	BK	R	BU
	<b>BK</b> = Black	<b>TN</b> = Tin Cerium	<b>BK</b> = Black	<b>BK</b> = Black	<b>R</b> = ROHS Conform	<b>BU</b> = Bulk- Ware
	<b>NI</b> = Nickel	<b>GO</b> = Gold	<b>NI</b> = Nickel		<b>N</b> = NON ROHS Conform	

**4 Pos. XLR-Connector  
Male Type**

Part No.: **T13R012**

DRW:	Jason	CHKD	Wilson	MATL:	Wilson	TOLERANCE	Mason	DATE	11.11.2017	Customer:
APPD:	Schumi			FINISH	Jamy		Sheet No.	2 from 2		