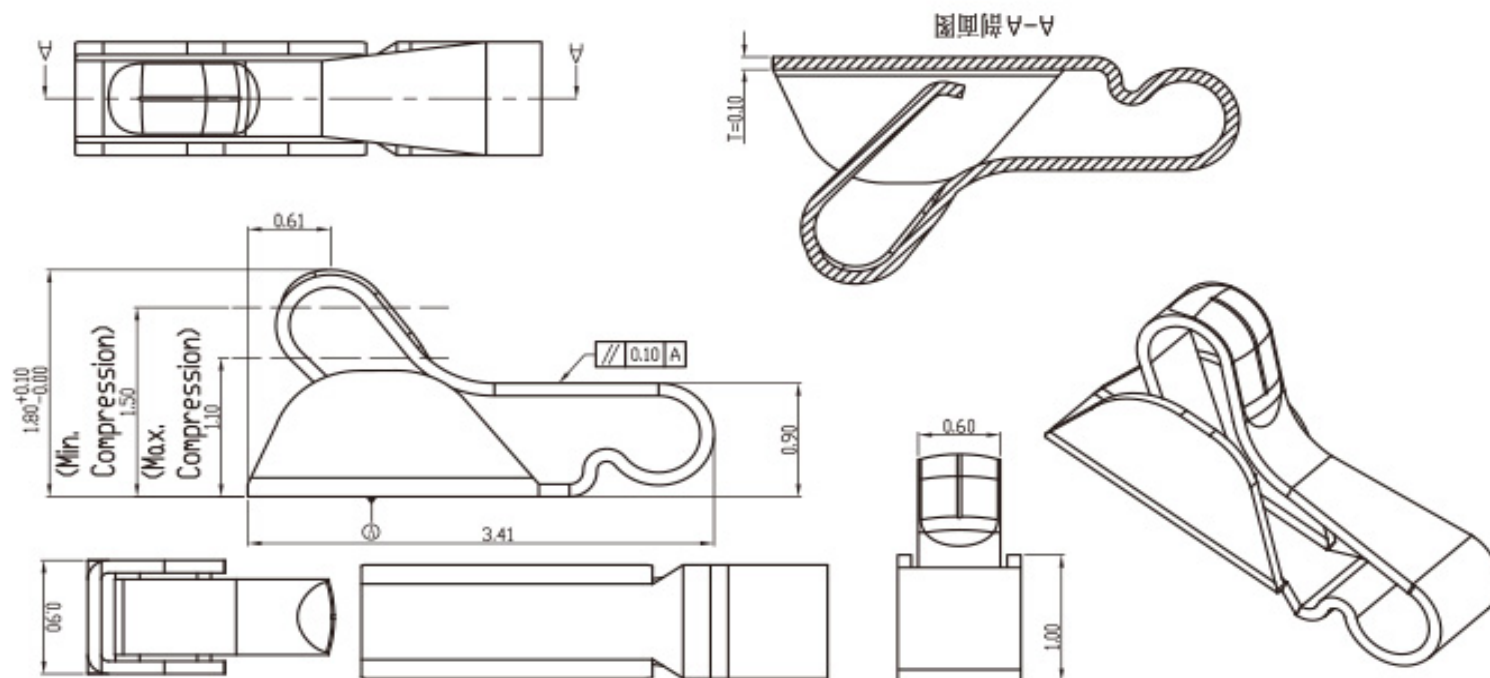


EDCON-COMPONENTS



Technical Drawing



Technical Specification

| | |
|------------------------------|-----------------------|
| Frequency Range: | DC-4GHz |
| Impedance: | 50Ω |
| Pre-load Force: | 0,30N. Min |
| Solder Ability: | sold coverage 95% |
| Center Contact Resistance: | 30mΩ Max. |
| Voltage Standing wave Ratio: | 1.5 Max (DC-3GHz) |
| Insertion Loss | -.0,6dB Max.(DC-3GHz) |
| Mechanical Durability: | 100Cycles |
| Operating Temperature: | -.40°C to +65°C |

SPRING RF CONNECTOR CONTACT

Part No.: **TA25018**

| | | | | | | | | | |
|-------|--------|------|--------|--------|--------|-----------|-----------|------|------------|
| DRW: | Jason | CHKD | Wilson | MATL: | Wilson | TOLERANCE | Mason | DATE | 29.10.2017 |
| APPD: | Schumi | | | FINISH | Jamy | | Sheet No. | | 1 from 3 |

Customer:

EDCON-COMPONENTS



Ordering Informations

| Serie | Contact Plating | Spezial Function | Spezial Function | Spezial Function | ROHS | Packing | | | | |
|-------|-----------------|------------------|------------------|------------------|------|---------|--|--|--|--|
|-------|-----------------|------------------|------------------|------------------|------|---------|--|--|--|--|

| | | | | | | | | | | |
|----------------|-----------|----------|----------|----------|----------|-----------|--|--|--|--|
| TA25018 | G0 | 0 | 0 | 0 | R | TR | | | | |
|----------------|-----------|----------|----------|----------|----------|-----------|--|--|--|--|

| | | | | | |
|---------------------------------|------------------------|------------------------|------------------------|-------------------------|--------------------------------|
| G0 = Gold Flash | 0 = No function | 0 = No function | 0 = No function | R = ROHS Conform | B101 = Bulk-Ware 100PCS |
| S0 = Selectiv Gold Flash | | | | | |
| T0 = Tinned | | | | | TR = Tape Reel |

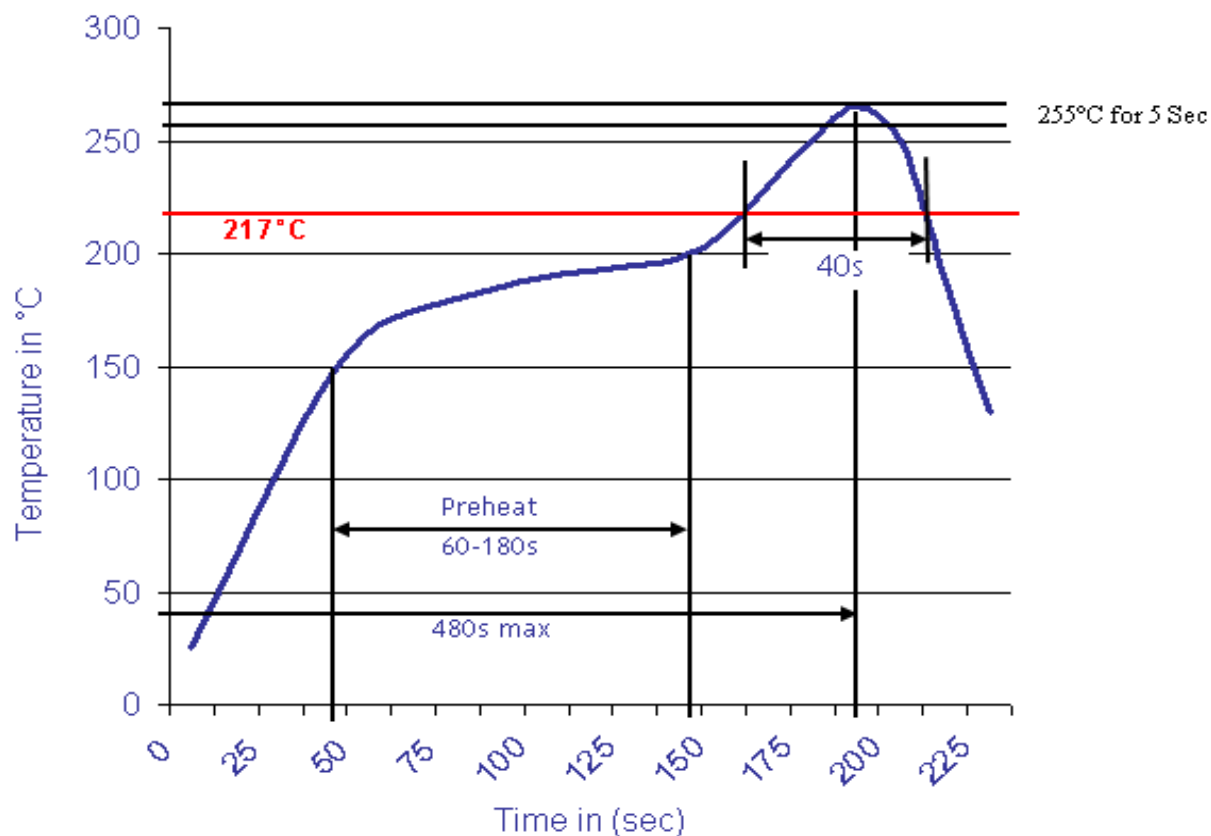
| | |
|------------------------------------|----------------|
| SPRING RF CONNECTOR CONTACT | |
| Part No.: | TA25018 |
| Customer: | |

| | | | | | | | | | |
|-------|--------|------|--------|--------|--------|-----------|-----------|----------|------------|
| DRW: | Jason | CHKD | Wilson | MATL: | Wilson | TOLERANCE | Mason | DATE | 29.10.2017 |
| APPD: | Schumi | | | FINISH | Jamy | | Sheet No. | 2 from 3 | |



Soldering Profile Curve

Classification Reflow Profile (JEDEC J-STD-020C)



| | |
|------------------------------------|----------------|
| SPRING RF CONNECTOR CONTACT | |
| Part No.: | TA25018 |
| Customer: | |

| | | | | | | | | | |
|-------|--------|------|--------|--------|--------|-----------|-----------|----------|------------|
| DRW: | Jason | CHKD | Wilson | MATL: | Wilson | TOLERANCE | Mason | DATE | 29.10.2017 |
| APPD: | Schumi | | | FINISH | Jamy | | Sheet No. | 3 from 3 | |