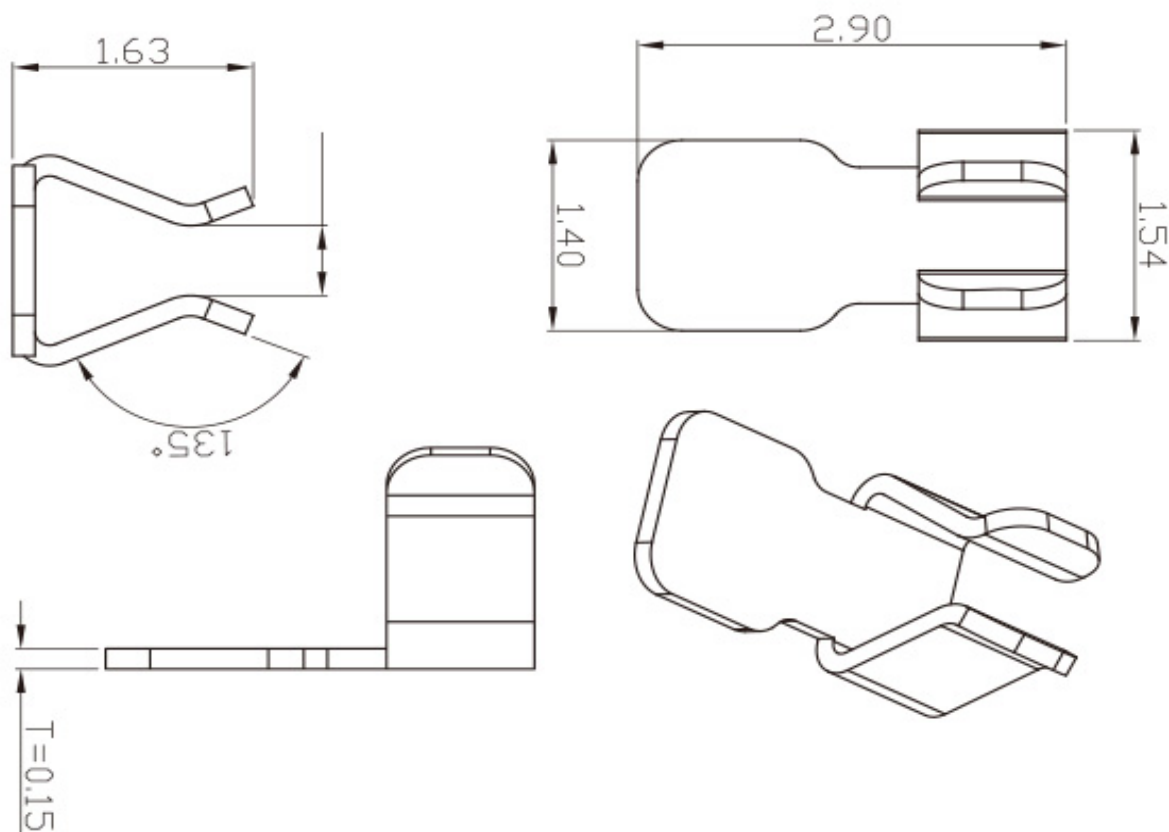


# EDCON-COMPONENTS



## Technical Drawing



## Technical Specification

Frequency Range:	DC-4GHz
Impedance:	50Ω
Pre-load Force:	0,30N. Min
Solder Ability:	sold coverage 95%
Center Contact Resistance:	30mΩ Max.
Voltage Standing wave Ratio:	1.5 Max (DC-3GHz)
Insertion Loss	-.0,6dB Max.(DC-3GHz)
Mechanical Durability:	100Cycles
Operating Temperature:	-.40°c to +65°C

<b>SPRING RF CONNECTOR CONTACT</b>
--

Part No.:	<b>TA25017</b>
-----------	----------------

DRW:	Jason	CHKD	Wilson	MATL:	Wilson	TOLERANCE	Mason	DATE	29.10.2017	Customer:
APPD:	Schumi			FINISH	Jamy			Sheet No.	1 from 3	

# EDCON-COMPONENTS



## Ordering Informations

Serie	Contact Plating	Spezial Function	Spezial Function	Spezial Function	ROHS	Packing				
-------	-----------------	------------------	------------------	------------------	------	---------	--	--	--	--

<b>TA25017</b>	<b>T0</b>	<b>0</b>	<b>0</b>	<b>0</b>	<b>R</b>	<b>TR</b>				
----------------	-----------	----------	----------	----------	----------	-----------	--	--	--	--

<b>G0=</b> Gold Flash	<b>0=</b> No function	<b>0=</b> No function	<b>0=</b> No function	<b>R=</b> ROHS Conform	<b>B101=</b> Bulk-Ware 100PCS  <b>TR=</b> Tape Reel
<b>S0=</b> Selectiv Gold Flash					
<b>T0=</b> Tinned					

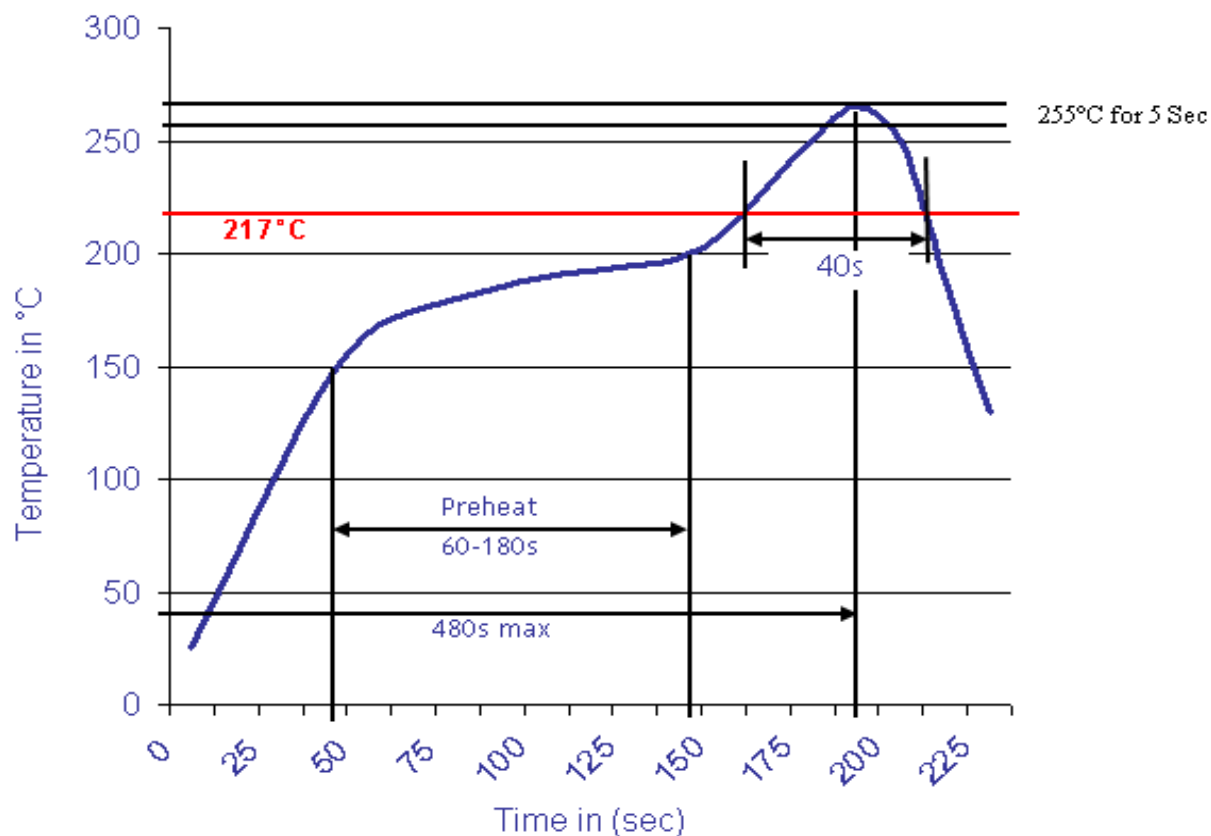
<b>SPRING RF CONNECTOR CONTACT</b>	
Part No.:	<b>TA25017</b>
Customer:	

DRW:	Jason	CHKD	Wilson	MATL:	Wilson	TOLERANCE	Mason	DATE	29.10.2017
APPD:	Schumi			FINISH	Jamy		Sheet No.	2 from 3	



Soldering Profile Curve

Classification Reflow Profile (JEDEC J-STD-020C)



**SPRING RF CONNECTOR CONTACT**

Part No.: **TA25017**

DRW:	Jason	CHKD	Wilson	MATL:	Wilson	TOLERANCE	Mason	DATE	29.10.2017
APPD:	Schumi			FINISH	Jamy		Sheet No.	3 from 3	Customer: