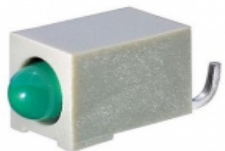


EDCON-COMPONENTS

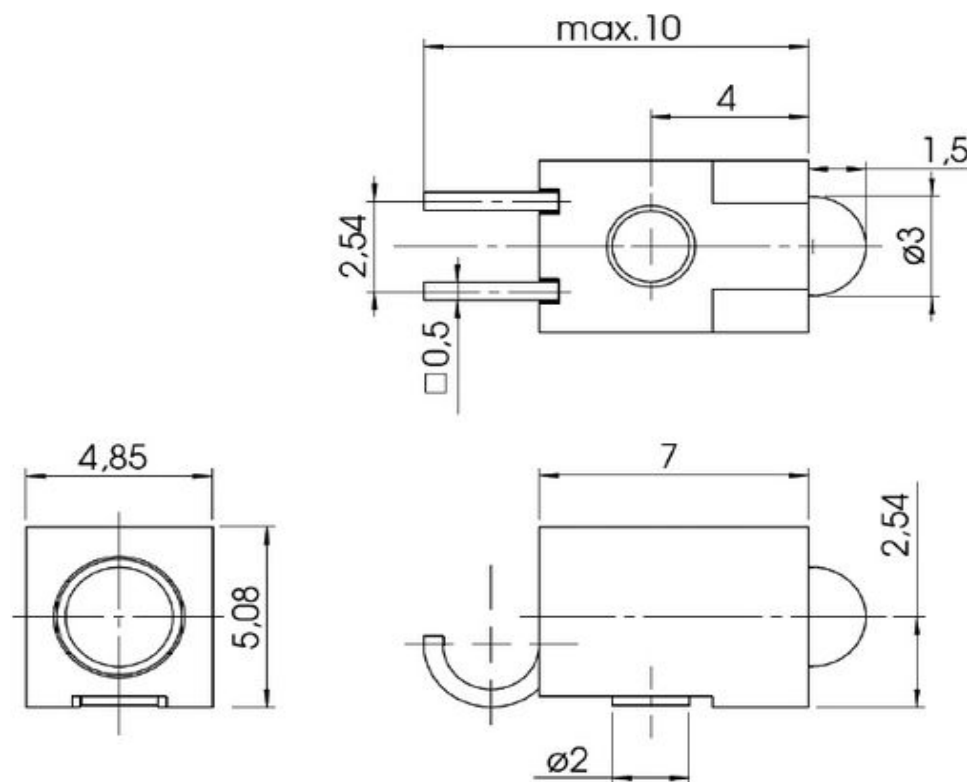


Technical Discription

LED Diameter 3mm
 Pitch: 5,08mm
 Soldering to DIN IEC 68T2-20
 Soldering Temperatur 235°C +/- 5°C for 5Sec.
 Operating Temperature: -25°C to +85°C

Quantity of Reel: 1250PCS

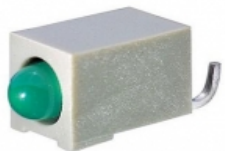
Drawing



SMD LED Holder	
Part No.:	
Customer:	

DRW:	Jason	CHKD	Wilson	MATL:	Wilson	TOLERANCE	Mason	DATE	16.09.2017
APPD:	Schumi			FINISH	Jamy		Sheet No.	1 from 2	

EDCON-COMPONENTS



Ordering Informations

Terminal

Serie	LED Colour	Special function	Special function	ROHS	Packing	
-------	------------	------------------	------------------	------	---------	--

M19031	-	RD	XX	NN	R	TR
---------------	---	-----------	-----------	-----------	----------	-----------

RD01 = RED diffus xxxmcd	XX = NO special function	NN = NO special function	R = ROHS Conform	TR = Tape / Reel
YD01 = Yellow diffus xxxmcd			N = NON ROHS Conform	
GD01 = Green diffus xxxmcd				
BD01 = Blue diffus xxxmcd				
WD01 = White diffus xxxmcd				
OD01 = Orange diffus xxxmcd				

SMD LED Holder
Part No.: M19031
Customer:

DRW:	Jason	CHKD	Wilson	MATL:	Wilson	TOLERANCE	Mason	DATE	16.09.2017
APPD:	Schumi			FINISH	Jamy		Sheet No.		2 from 2