

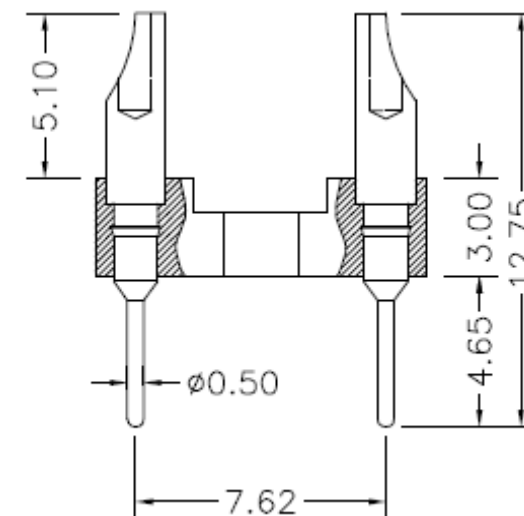
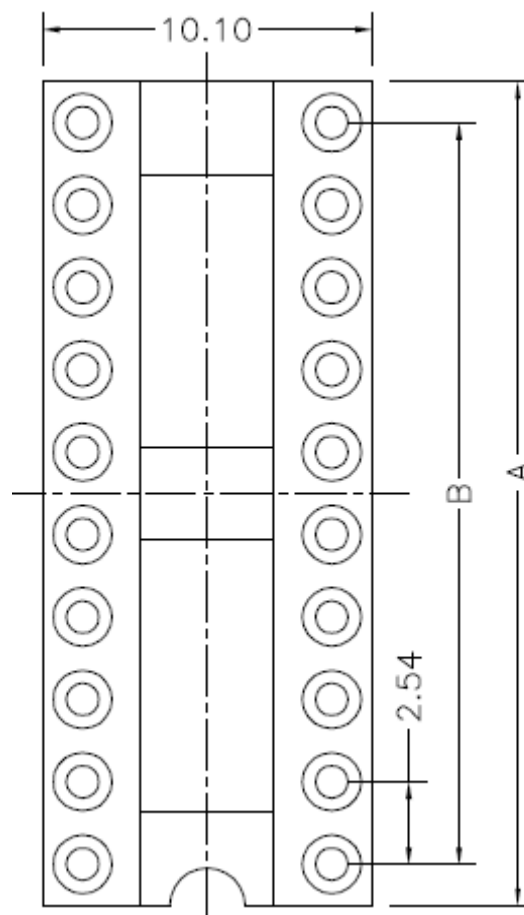
Specifications

Current Rating: 3 Ampere
 Insulator Resistance: 1000 Megaohm min. V=100V
 Contact Resistance < 4m Ohm max.

Operating Temperature: Gold Plated -55°C to +105°C
 Operating Temperature: Tin Plated -40°C to +105°C
 Contact Material: Brass machined Contact
 Insulator Material: PPS, UL 94V-0
 Operating Voltage: 60 VAC/DC
 Contact Plating: Tin, Gold or Selective Plated
 Standard: Gold Flash Overall

P.C.B Layout

Drawing

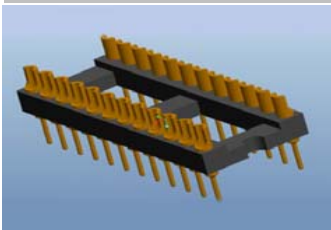


THT IC-Socket Solder Cup

Part No.: **T34029-**

Customer:

DRW:	Jason	CHKD	Wilson	MATL:	Wilson	TOLERANCE	Mason	DATE	22.07.2017
APPD:	Schumi			FINISH	Jamy		Sheet No.	1 from 2	



Technical Dimensions

No of Position (Table 1)

Order Code	Dimension (mm)			
	Width	Width		
306	7,62			
308	7,62			
310	7,62			
314	7,62			
316	7,62			
318	7,62			
320	7,62			
324	7,62			
328	7,62			
624		15,24		
628		15,24		
632		15,24		
640		15,24		
648		15,24		

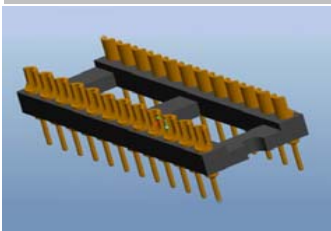
THT IC-Socket Solder Cup

Part No.: **T34029-**

Customer:

DRW:	Jason	CHKD	Wilson	MATL:	Wilson	TOLERANCE	Mason	DATE	22.07.2017
APPD:	Schumi			FINISH	Jamy		Sheet No.	2 from 2	

EDCON-COMPONENTS



Ordering Informations

Serie	No. of Pos. (table 1)	Contact Plating 1	Special function	Isolator Material	Special function	Special function	ROHS	Packing		
T34029-	306	G0	00	PP	00	00	R	TU		

306 = look table 1	G0 = Gold Flash	00 = No Special	PP = PPS	00 = No Special	00 = No Special	N =NO ROHS conform	BU = Bulk
	T0 = Tin plated						TU = Tube
	GA = 10µ Gold Plating					R =ROHS conform	TY = Tray Packing
	GB = 15µ Gold Plating						
	GC = 20µ Gold Plating						
	S0 = Selectiv Plating Gold Flash / Tin						

THT IC-Socket Solder Cup

Part No.: **T34029-**

Customer:

DRW:	Jason	CHKD	Wilson	MATL:	Wilson	TOLERANCE	Mason	DATE	22.07.2017
APPD:	Schumi			FINISH	Jamy		Sheet No.		2 from 2

www.edcon-components.com

email: info@edcon-components.com