

# DATA SHEET

## Passive SMD Magnetic Buzzer

### Serie: Y15034

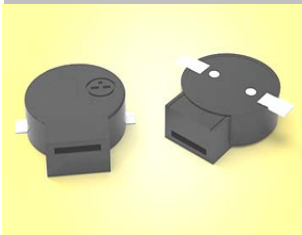
**Passive SMD Magnetic  
Buzzer**

Serie No.: **Y15034**

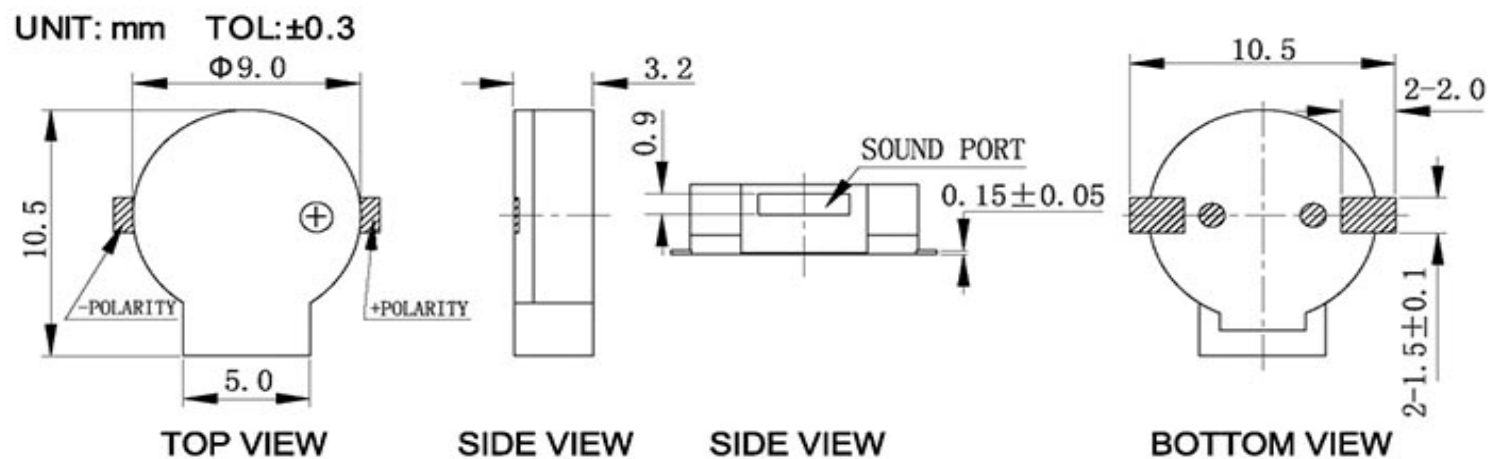
Customer:

DRW:	Jason	CHKD	Wilson	MATL:	Wilson	TOLERANCE	Mason	DATE	01.11.2017
APPD:	Schumi			FINISH	Jamy		Sheet No.		1 from 5

# EDCON-COMPONENTS



## Drawing

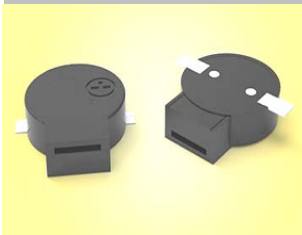


**Passive SMD Magnetic Buzzer**

Part No.: **Y15034**

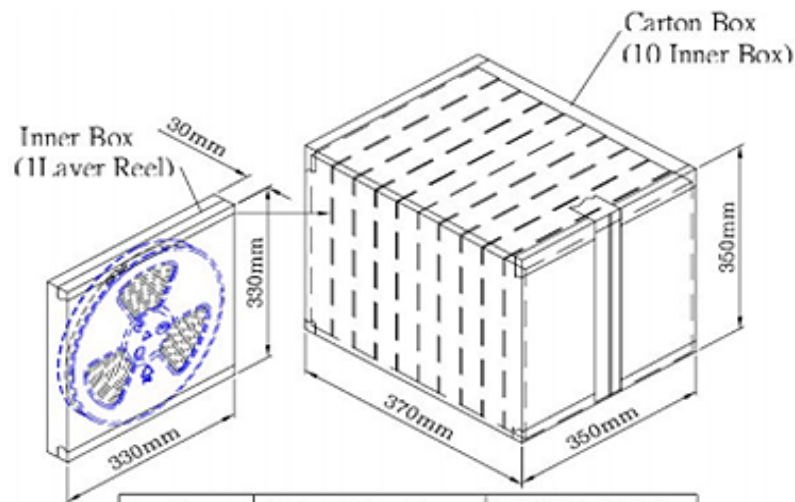
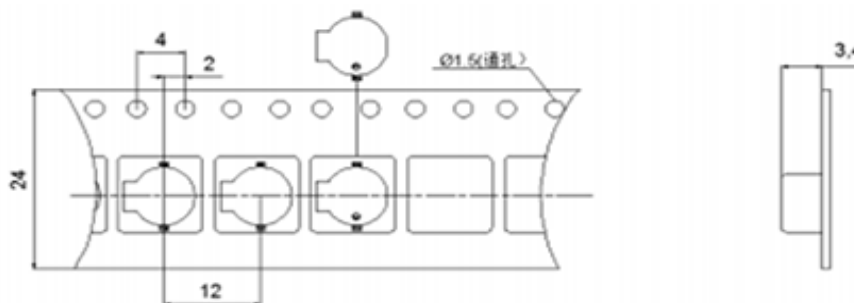
DRW:	Jason	CHKD	Wilson	MATL:	Wilson	TOLERANCE	Mason	DATE	01.11.2017	Customer:
APPD:	Schumi			FINISH	Jamy		Sheet No.	2 from 5		

# EDCON-COMPONENTS



## Technical Features

Rated Voltage:	5,0	(Vp-p)
Operating Voltage:	4,5~6,5	(Vp-p)
Oscillation Frequency:	2731	Hz
Current Consumption (mA/max) rated V.	90	mA
Sound Pressure Level :@ 10cm rated V.	86	dB
Coil Resistance:	25 ±3	Ω
Audible distance at rated Vol.	10	Meter
Operating Temperature:	-20~ +85	°C
Storage Temperature:	-30~ +95	°C
Dimensions:L x W x H	10,5x9,0x3,2	mm
Weight:	0,3	g
Material:		
Housing:	LCP Plastic Resin	Black
Termination:	SMD	
Packing Unit:	1000	PCS



Inner Box	330mmx330mmx30mm	1x2500PCS=2500PCS
Carton Box	350mmx350mmx370mm	10x2500PCS=25.000PCS

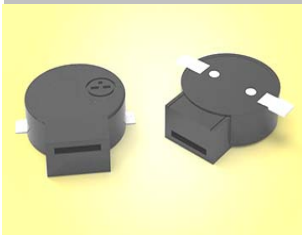
## Passive SMD Magnetic Buzzer

Part No.: **Y15034**

Customer:

DRW:	Jason	CHKD	Wilson	MATL:	Wilson	TOLERANCE	Mason	DATE	01.11.2017
APPD:	Schumi			FINISH	Jamy		Sheet No.		3 from 5

# EDCON-COMPONENTS



## Ordering Informations

Serie	Special function	Special function	Special function	Special function	ROHS	Packing Code				
-------	------------------	------------------	------------------	------------------	------	--------------	--	--	--	--

<b>Y15034</b>	-	<b>N</b>	<b>N</b>	<b>N</b>	<b>N</b>	<b>R</b>	<b>TR</b>			
---------------	---	----------	----------	----------	----------	----------	-----------	--	--	--

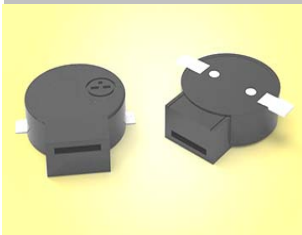
<b>0=</b> no special function	<b>0=</b> no special function	<b>0=</b> no special function	<b>0=</b> no special function	<b>R=</b> ROHS Conform	<b>BU=</b> Bulk Ware
				<b>N=</b> NON ROHS Conform	<b>TU=</b> TUBE Packing
					<b>TY=</b> TRAY Packing
					<b>TR=</b> TAPE REEL Packing
					<b>IV=</b> Individual Packing

**Passive SMD Magnetic Buzzer**

Part No.: **Y15034**

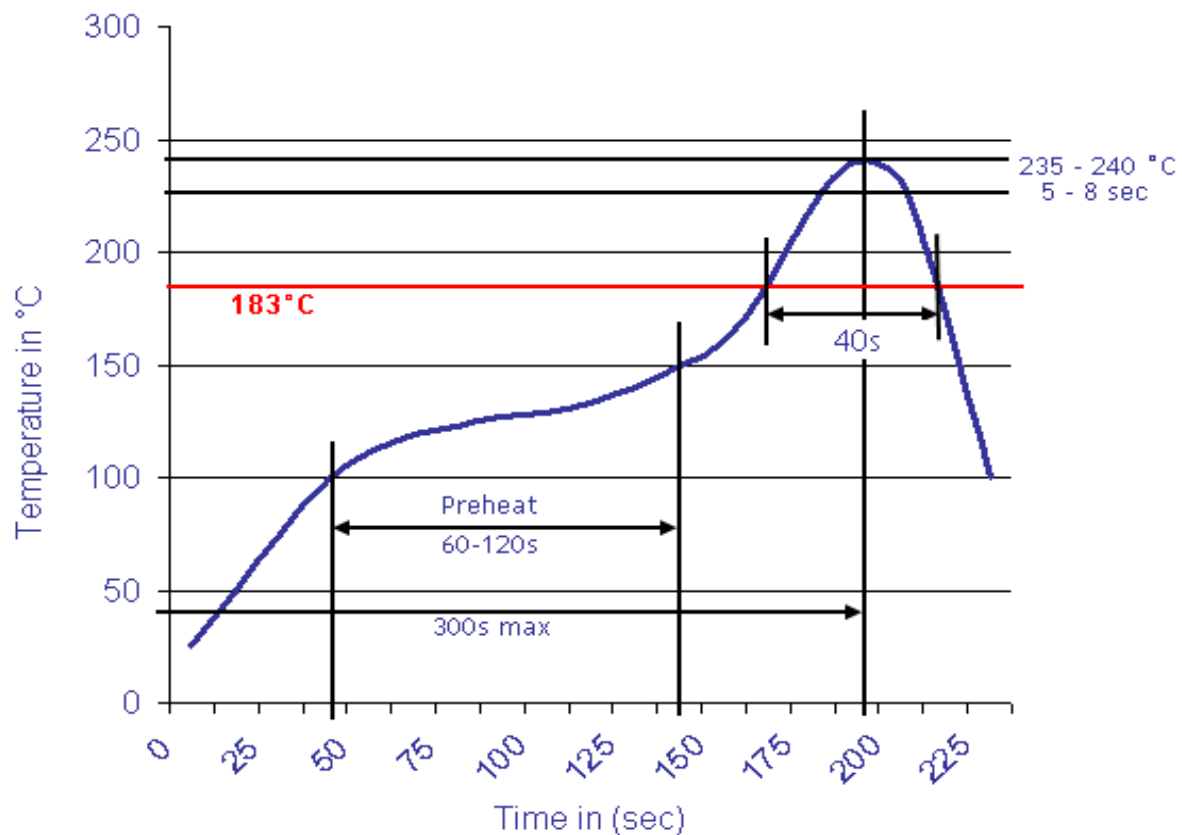
DRW:	Jason	CHKD	Wilson	MATL:	Wilson	TOLERANCE	Mason	DATE	01.11.2017
APPD:	Schumi			FINISH	Jamy		Sheet No.		4 from 5

Customer:



Soldering Profile Curve

Classification Reflow Profile (JEDEC J-STD-020C)



**Passive SMD Magnetic  
Buzzer**

Part No.: **Y15034**

Customer:

DRW:	Jason	CHKD	Wilson	MATL:	Wilson	TOLERANCE	Mason	DATE	01.11.2017
APPD:	Schumi			FINISH	Jamy		Sheet No.	5 from 5	