

DATA SHEET

Passive SMD Magnetic Buzzer

Serie: Y15033

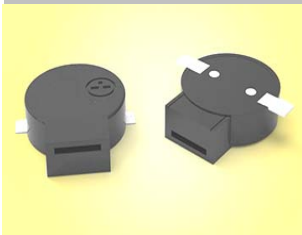
Passive SMD Magnetic Buzzer

Serie No.: **Y15033**

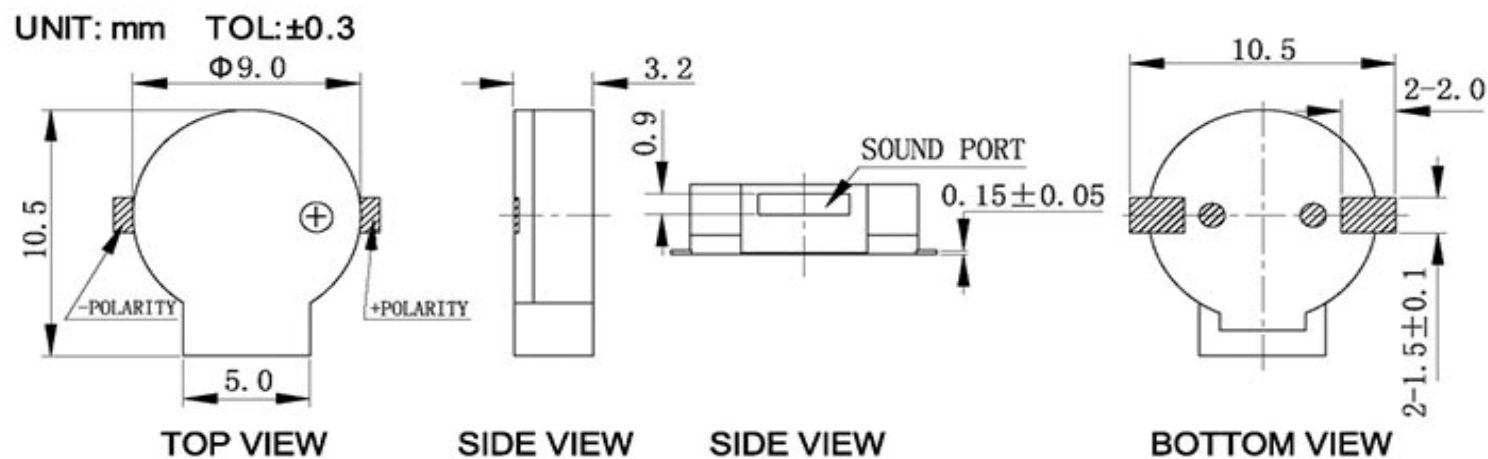
DRW:	Jason	CHKD	Wilson	MATL:	Wilson	TOLERANCE	Mason	DATE	01.11.2017
APPD:	Schumi			FINISH	Jamy		Sheet No.		1 from 5

Customer:

EDCON-COMPONENTS



Drawing

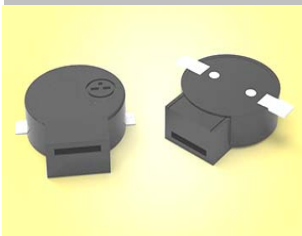


Passive SMD Magnetic Buzzer

Part No.: Y15033

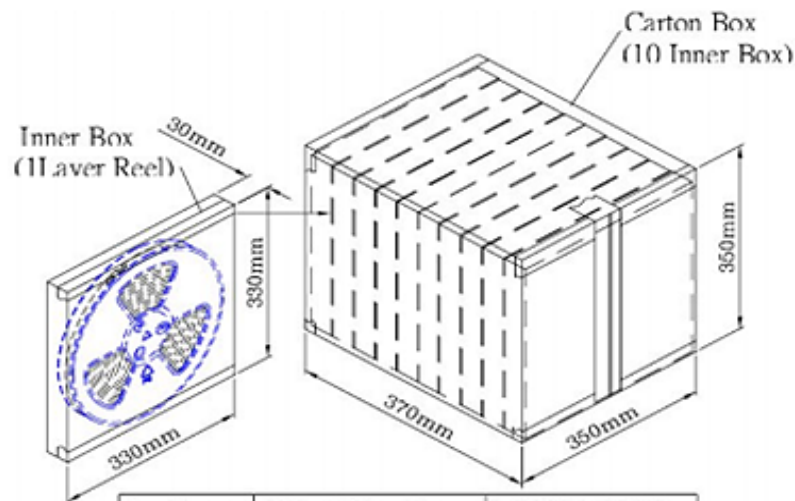
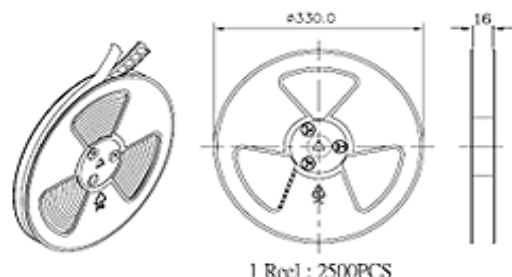
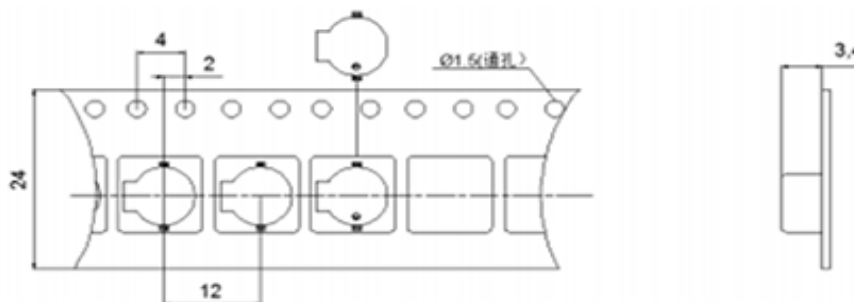
DRW:	Jason	CHKD	Wilson	MATL:	Wilson	TOLERANCE	Mason	DATE	01.11.2017	Customer:
APPD:	Schumi			FINISH	Jamy		Sheet No.	2 from 5		

EDCON-COMPONENTS



Technical Features

Rated Voltage:	3,6	(Vp-p)
Operating Voltage:	2,5~4,5	(Vp-p)
Oscillation Frequency:	2731	Hz
Current Consumption (mA/max) rated V.	100	mA
Sound Pressure Level :@ 10cm rated V.	85	dB
Coil Resistance:	16 ±3	Ω
Audible distance at rated Vol.	10	Meter
Operating Temperature:	-20~ +85	°C
Storage Temperature:	-30~ +95	°C
Dimensions:L x W x H	10,5x9,0x3,2	mm
Weight:	0,3	g
Material:		
Housing:	LCP Plastic Resin	Black
Termination:	SMD	
Packing Unit:	1000	PCS



Inner Box	330mmx330mmx30mm	1x2500PCS=2500PCS
Carton Box	350mmx350mmx370mm	10x2500PCS=25.000PCS

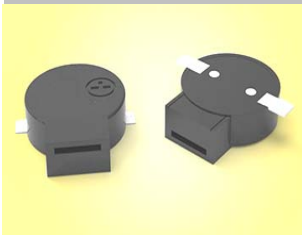
Passive SMD Magnetic Buzzer

Part No.: Y15033

Customer:

DRW:	Jason	CHKD	Wilson	MATL:	Wilson	TOLERANCE	Mason	DATE	01.11.2017
APPD:	Schumi			FINISH	Jamy		Sheet No.		3 from 5

EDCON-COMPONENTS



Ordering Informations

Serie	Special function	Special function	Special function	Special function	ROHS	Packing Code				
-------	------------------	------------------	------------------	------------------	------	--------------	--	--	--	--

Y15033	-	N	N	N	N	R	TR			
--------	---	---	---	---	---	---	----	--	--	--

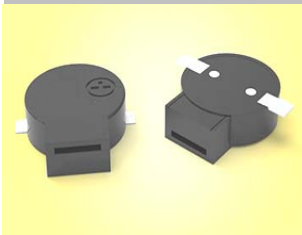
0= no special function	0= no special function	0= no special function	0= no special function	R= ROHS Conform	BU= Bulk Ware
				N= NON ROHS Conform	TU= TUBE Packing
					TY= TRAY Packing
					TR= TAPE REEL Packing
					IV= Individual Packing

Passive SMD Magnetic Buzzer

Part No.: **Y15033**

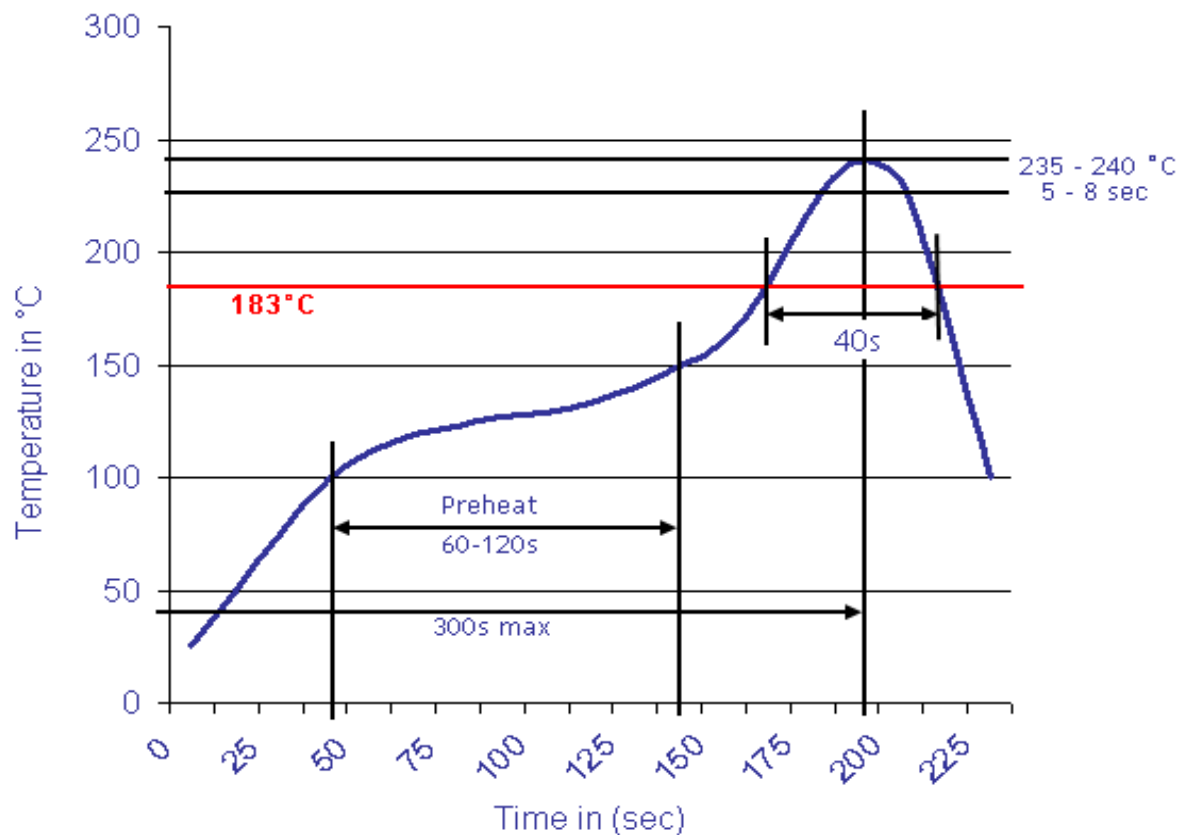
DRW:	Jason	CHKD	Wilson	MATL:	Wilson	TOLERANCE	Mason	DATE	01.11.2017
APPD:	Schumi			FINISH	Jamy			Sheet No.	4 from 5

Customer:



Soldering Profile Curve

Classification Reflow Profile (JEDEC J-STD-020C)



Passive SMD Magnetic Buzzer	
Part No.:	Y15033
Customer:	

DRW:	Jason	CHKD	Wilson	MATL:	Wilson	TOLERANCE	Mason	DATE	01.11.2017
APPD:	Schumi			FINISH	Jamy		Sheet No.	5 from 5	