

# DATA SHEET

## Passive SMD Magnetic Buzzer

### Serie: Y15032

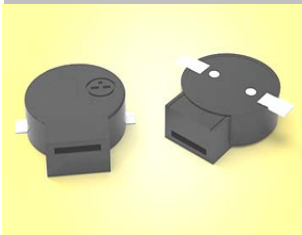
**Passive SMD Magnetic Buzzer**

Serie No.: **Y15032**

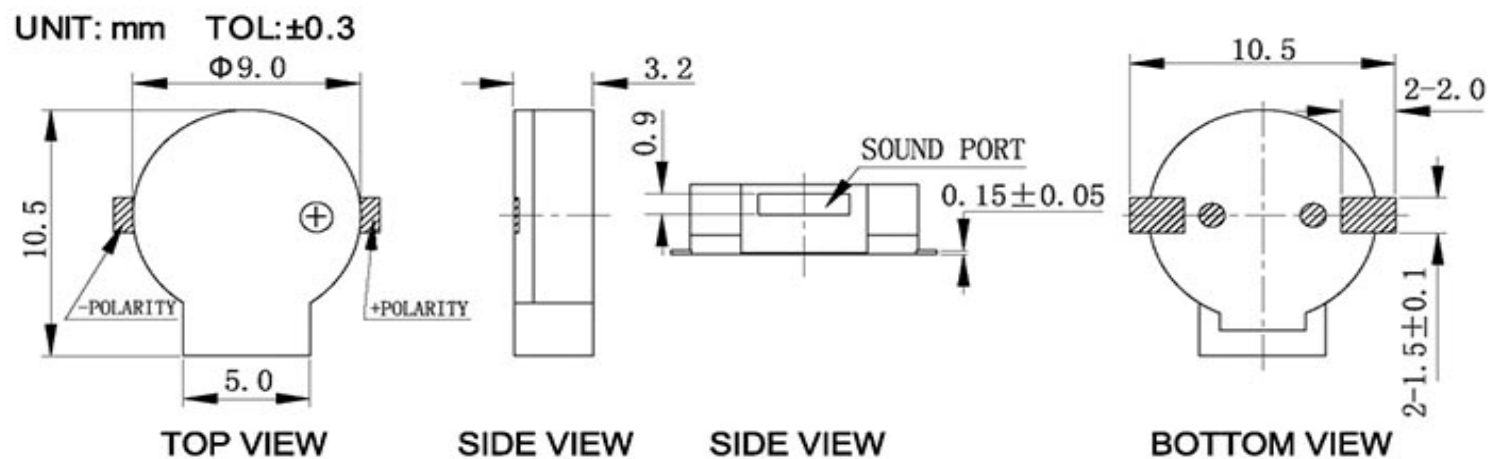
Customer:

|       |        |      |        |        |        |           |           |      |            |
|-------|--------|------|--------|--------|--------|-----------|-----------|------|------------|
| DRW:  | Jason  | CHKD | Wilson | MATL:  | Wilson | TOLERANCE | Mason     | DATE | 01.11.2017 |
| APPD: | Schumi |      |        | FINISH | Jamy   |           | Sheet No. |      | 1 from 5   |

# EDCON-COMPONENTS



## Drawing

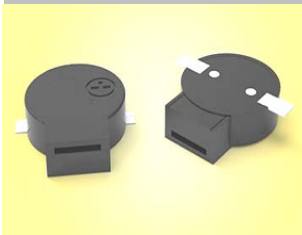


### Passive SMD Magnetic Buzzer

Part No.: Y15032

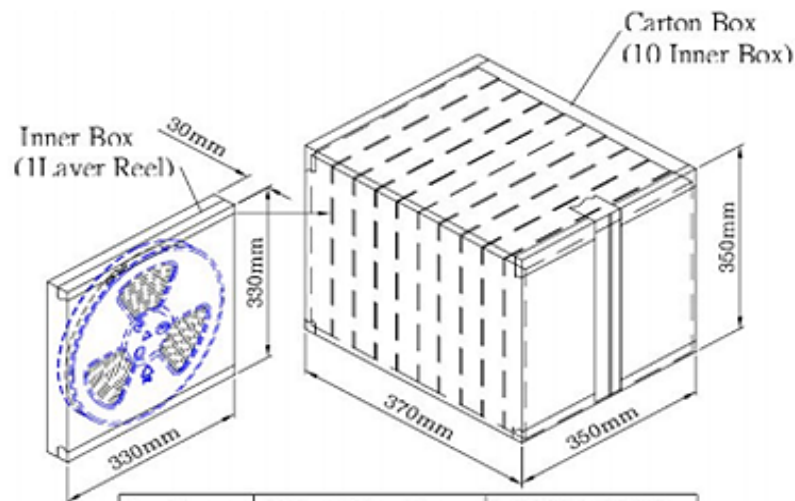
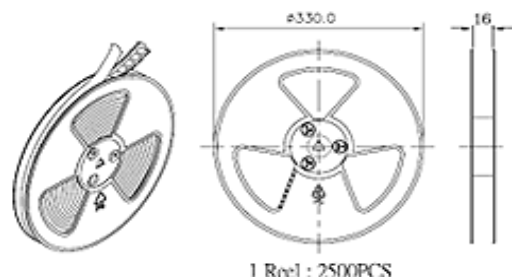
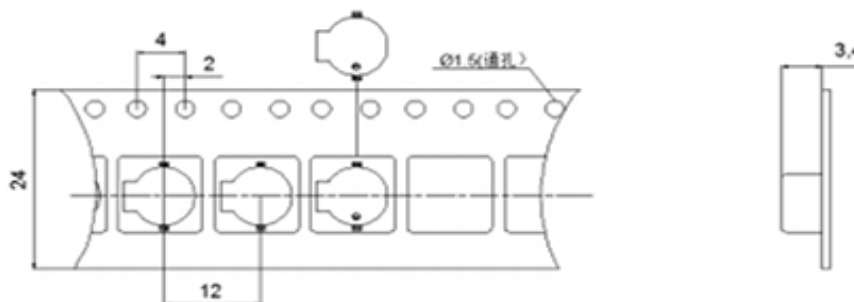
|       |        |      |        |        |        |           |           |          |            |           |
|-------|--------|------|--------|--------|--------|-----------|-----------|----------|------------|-----------|
| DRW:  | Jason  | CHKD | Wilson | MATL:  | Wilson | TOLERANCE | Mason     | DATE     | 01.11.2017 | Customer: |
| APPD: | Schumi |      |        | FINISH | Jamy   |           | Sheet No. | 2 from 5 |            |           |

# EDCON-COMPONENTS



## Technical Features

|                                       |                   |        |
|---------------------------------------|-------------------|--------|
| Rated Voltage:                        | 1,5               | (Vp-p) |
| Operating Voltage:                    | 1,2~2,0           | (Vp-p) |
| Oscillation Frequency:                | 2731              | Hz     |
| Current Consumption (mA/max) rated V. | 80                | mA     |
| Sound Pressure Level :@ 10cm rated V. | 85                | dB     |
| Coil Resistance:                      | 5,5 ±1            | Ω      |
| Audible distance at rated Vol.        | 5                 | Meter  |
| Operating Temperature:                | -20~ +85          | °C     |
| Storage Temperature:                  | -30~ +95          | °C     |
| Dimensions:L x W x H                  | 10,5x9,0x3,2      | mm     |
| Weight:                               | 0,3               | g      |
| Material:                             |                   |        |
| Housing:                              | LCP Plastic Resin | Black  |
| Termination:                          | SMD               |        |
| Packing Unit:                         | 1000              | PCS    |



|            |                   |                      |
|------------|-------------------|----------------------|
| Inner Box  | 330mmx330mmx30mm  | 1x2500PCS=2500PCS    |
| Carton Box | 350mmx350mmx370mm | 10x2500PCS=25.000PCS |

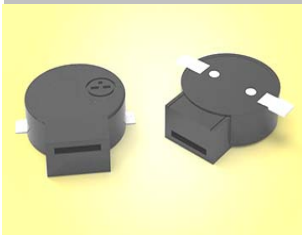
## Passive SMD Magnetic Buzzer

Part No.: Y15032

Customer:

|       |        |      |        |        |        |           |           |          |            |
|-------|--------|------|--------|--------|--------|-----------|-----------|----------|------------|
| DRW:  | Jason  | CHKD | Wilson | MATL:  | Wilson | TOLERANCE | Mason     | DATE     | 01.11.2017 |
| APPD: | Schumi |      |        | FINISH | Jamy   |           | Sheet No. | 3 from 5 |            |

# EDCON-COMPONENTS



## Ordering Informations

| Serie | Special function | Special function | Special function | Special function | ROHS | Packing Code |  |  |  |  |
|-------|------------------|------------------|------------------|------------------|------|--------------|--|--|--|--|
|-------|------------------|------------------|------------------|------------------|------|--------------|--|--|--|--|

|               |   |          |          |          |          |          |           |  |  |  |
|---------------|---|----------|----------|----------|----------|----------|-----------|--|--|--|
| <b>Y15032</b> | - | <b>N</b> | <b>N</b> | <b>N</b> | <b>N</b> | <b>R</b> | <b>TR</b> |  |  |  |
|---------------|---|----------|----------|----------|----------|----------|-----------|--|--|--|

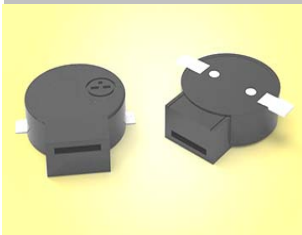
|                               |                               |                               |                               |                            |                               |
|-------------------------------|-------------------------------|-------------------------------|-------------------------------|----------------------------|-------------------------------|
| <b>0=</b> no special function | <b>0=</b> no special function | <b>0=</b> no special function | <b>0=</b> no special function | <b>R=</b> ROHS Conform     | <b>BU=</b> Bulk Ware          |
|                               |                               |                               |                               | <b>N=</b> NON ROHS Conform | <b>TU=</b> TUBE Packing       |
|                               |                               |                               |                               |                            | <b>TY=</b> TRAY Packing       |
|                               |                               |                               |                               |                            | <b>TR=</b> TAPE REEL Packing  |
|                               |                               |                               |                               |                            | <b>IV=</b> Individual Packing |

**Passive SMD Magnetic Buzzer**

Part No.: **Y15032**

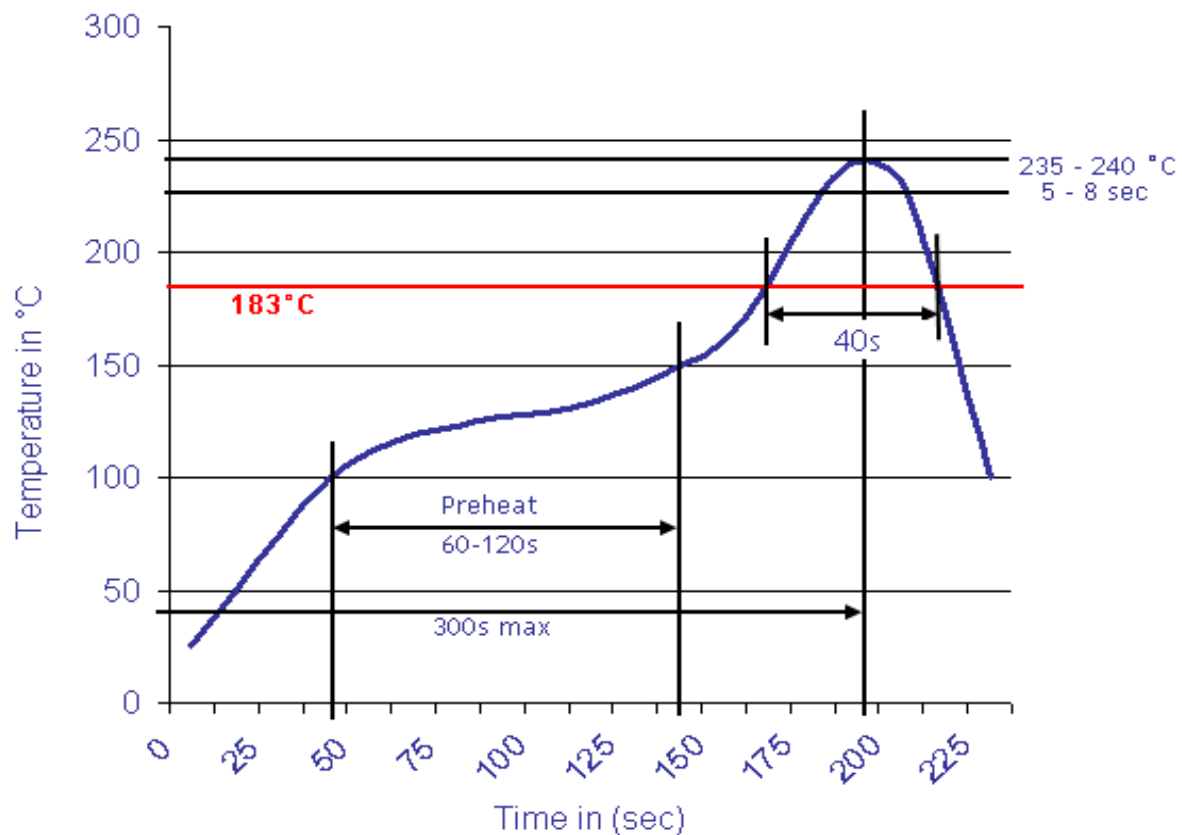
|       |        |      |        |        |        |           |           |      |            |
|-------|--------|------|--------|--------|--------|-----------|-----------|------|------------|
| DRW:  | Jason  | CHKD | Wilson | MATL:  | Wilson | TOLERANCE | Mason     | DATE | 01.11.2017 |
| APPD: | Schumi |      |        | FINISH | Jamy   |           | Sheet No. |      | 4 from 5   |

Customer:



Soldering Profile Curve

Classification Reflow Profile (JEDEC J-STD-020C)



|                                    |               |
|------------------------------------|---------------|
| <b>Passive SMD Magnetic Buzzer</b> |               |
| Part No.:                          | <b>Y15032</b> |
| Customer:                          |               |

|       |        |      |        |        |        |           |           |          |            |
|-------|--------|------|--------|--------|--------|-----------|-----------|----------|------------|
| DRW:  | Jason  | CHKD | Wilson | MATL:  | Wilson | TOLERANCE | Mason     | DATE     | 01.11.2017 |
| APPD: | Schumi |      |        | FINISH | Jamy   |           | Sheet No. | 5 from 5 |            |