



# DATA SHEET

## Passive SMD Magnetic Buzzer

### Serie: Y15025

**Passive SMD Magnetic  
Buzzer**

Serie No.: **Y15025**

Customer:

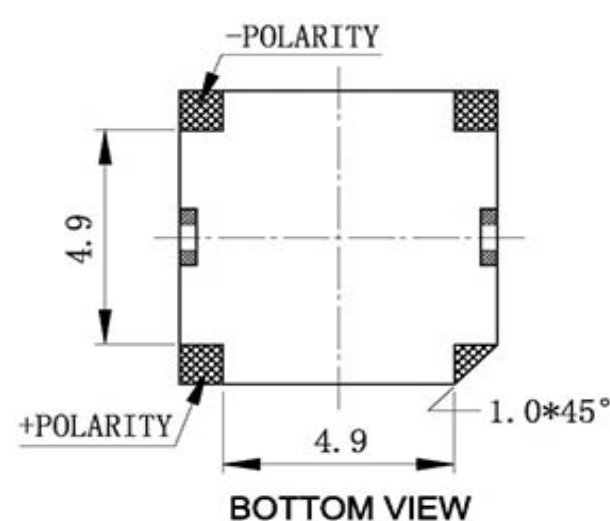
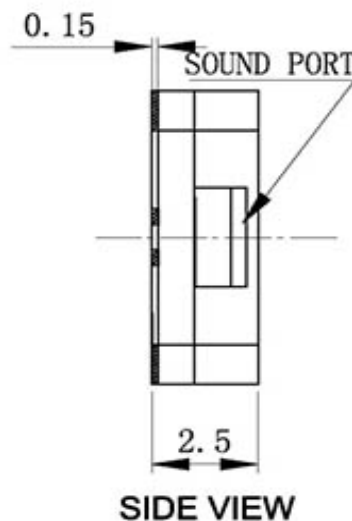
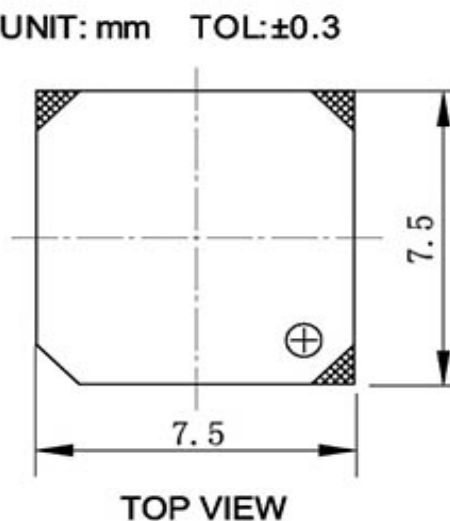
DRW:	Jason	CHKD	Wilson	MATL:	Wilson	TOLERANCE	Mason	DATE	01.11.2017
APPD:	Schumi			FINISH	Jamy		Sheet No.		1 from 5

# EDCON-COMPONENTS



## Drawing

UNIT: mm TOL:±0.3



**Passive SMD Magnetic Buzzer**

Part No.: Y15025

Customer:

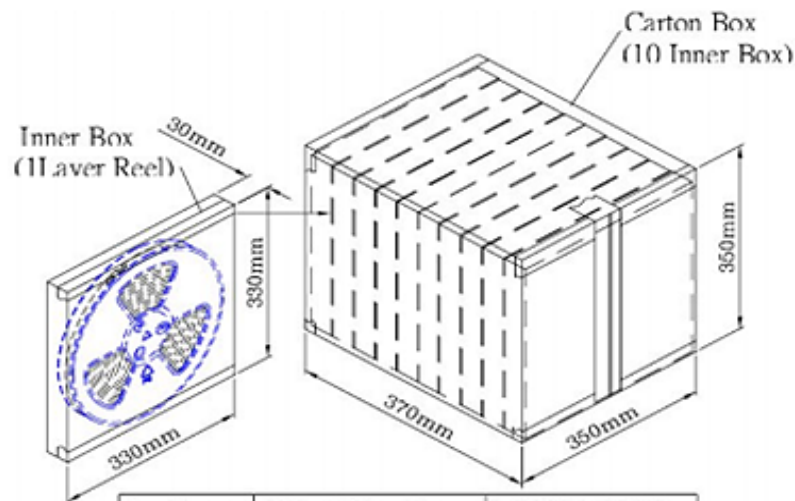
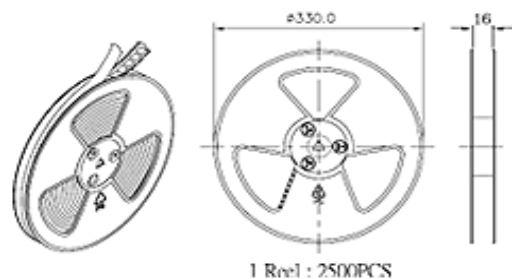
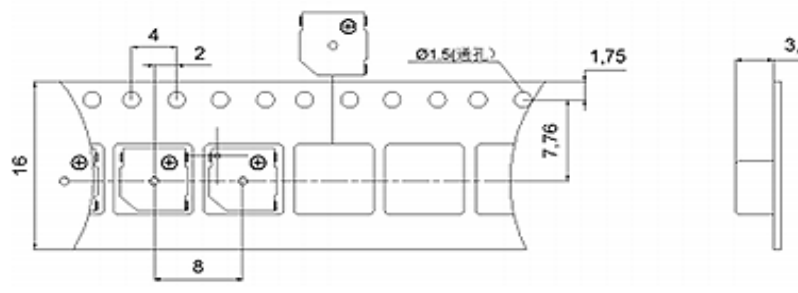
DRW:	Jason	CHKD	Wilson	MATL:	Wilson	TOLERANCE	Mason	DATE	01.11.2017
APPD:	Schumi			FINISH	Jamy		Sheet No.	2 from 5	

# EDCON-COMPONENTS



## Technical Features

Rated Voltage:	5,0	(Vp-p)
Operating Voltage:	4,5~6,5	(Vp-p)
Oscillation Frequency:	2731	Hz
Current Consumption (mA/max) rated V.	90	mA
Sound Pressure Level :@ 10cm rated V.	86	dB
Coil Resistance:	30 ±4	Ω
Audible distance at rated Vol.	4	Meter
Operating Temperature:	-20~ +85	°C
Storage Temperature:	-30~ +95	°C
Dimensions:L x W x H	7,5x7,5x2,5	mm
Weight:	0,25	g
Material:		
Housing:	LCP Plastic Resin	Black
Termination:	SMD	
Packing Unit:	1000/2000	PCS



Inner Box	330mmx330mmx30mm	1x2500PCS=2500PCS
Carton Box	350mmx350mmx370mm	10x2500PCS=25.000PCS

## Passive SMD Magnetic Buzzer

Part No.: **Y15025**

Customer:

DRW:	Jason	CHKD	Wilson	MATL:	Wilson	TOLERANCE	Mason	DATE	01.11.2017
APPD:	Schumi			FINISH	Jamy		Sheet No.		3 from 5

# EDCON-COMPONENTS



## Ordering Informations

Serie	Special function	Special function	Special function	Special function	ROHS	Packing Code				
-------	------------------	------------------	------------------	------------------	------	--------------	--	--	--	--

Y15025	-	N	N	N	N	R	TR			
--------	---	---	---	---	---	---	----	--	--	--

0= no special function	0= no special function	0= no special function	0= no special function	R= ROHS Conform	BU= Bulk Ware
				N= NON ROHS Conform	TU= TUBE Packing
					TY= TRAY Packing
					TR= TAPE REEL Packing
					IV= Individual Packing

**Passive SMD Magnetic Buzzer**

Part No.: **Y15025**

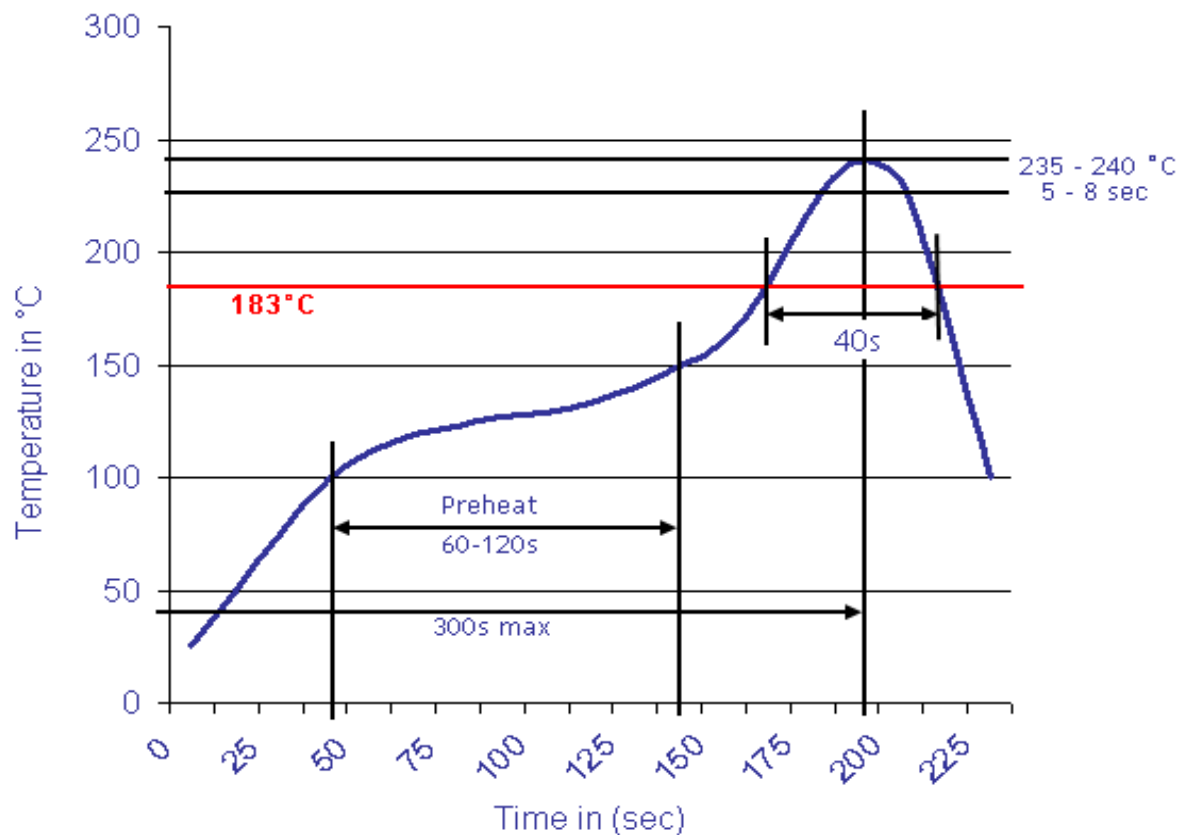
DRW:	Jason	CHKD	Wilson	MATL:	Wilson	TOLERANCE	Mason	DATE	01.11.2017
APPD:	Schumi			FINISH	Jamy		Sheet No.		4 from 5

Customer:



Soldering Profile Curve

Classification Reflow Profile (JEDEC J-STD-020C)



<b>Passive SMD Magnetic Buzzer</b>	
Part No.:	<b>Y15025</b>
Customer:	

DRW:	Jason	CHKD	Wilson	MATL:	Wilson	TOLERANCE	Mason	DATE	01.11.2017
APPD:	Schumi			FINISH	Jamy		Sheet No.	5 from 5	