

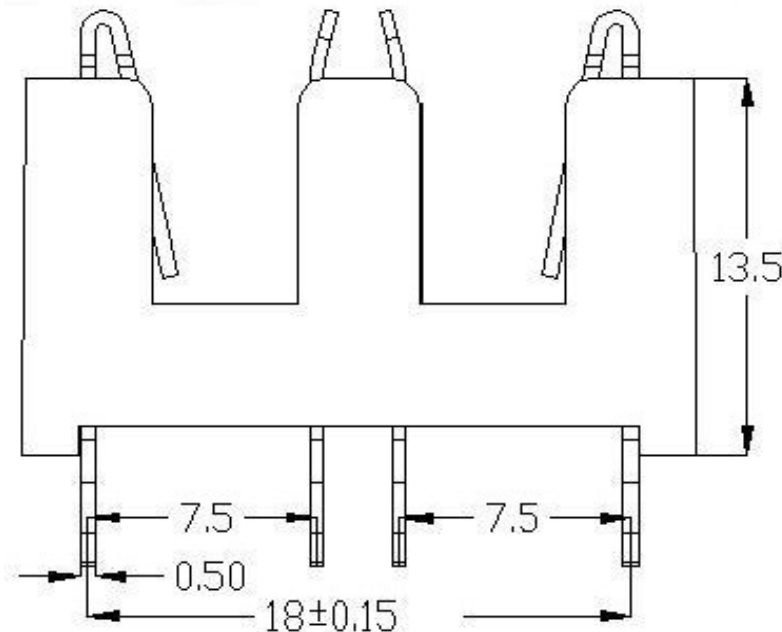
EDCON-COMPONENTS



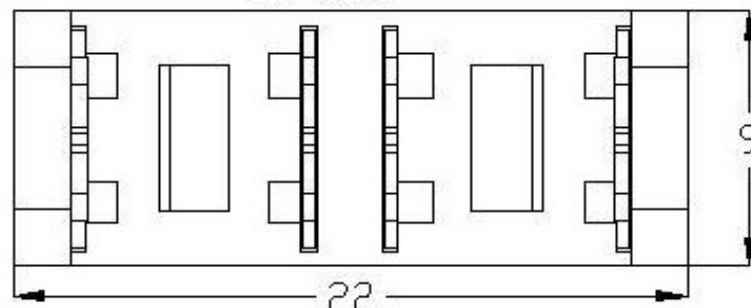
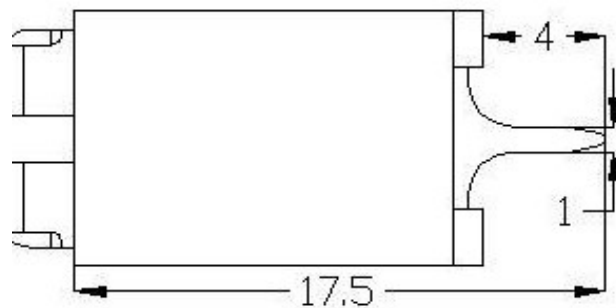
Technical Discription

Type;
 Insulation Resistance:
 Contact Resistance:
 Dielectric Strength:
 Rated Current:
 Rated Voltage:
 Fuse Type/Size:
 Protection Degree:

Drawing



Approvals



THT PCB GAS-Protector	
Part No.:	R53079
Customer:	

DRW:	Jason	CHKD:	Wilson	MATL:	Wilson	TOLERANCE:	Mason	DATE:	17.01.2023
APPD:	Schumi			FINISH:	Jamy			Sheet No.	1 from 3

www.edcon-components.com

email: info@edcon-components.com

EDCON-COMPONENTS



Ordering Informations

Serie	Spezial Function	Spezial Function	ROHS	Packing						
R53079	0	0	R	BU						

0 = No function	0 = No function	R = ROHS Conform	BU = Bulk-Ware

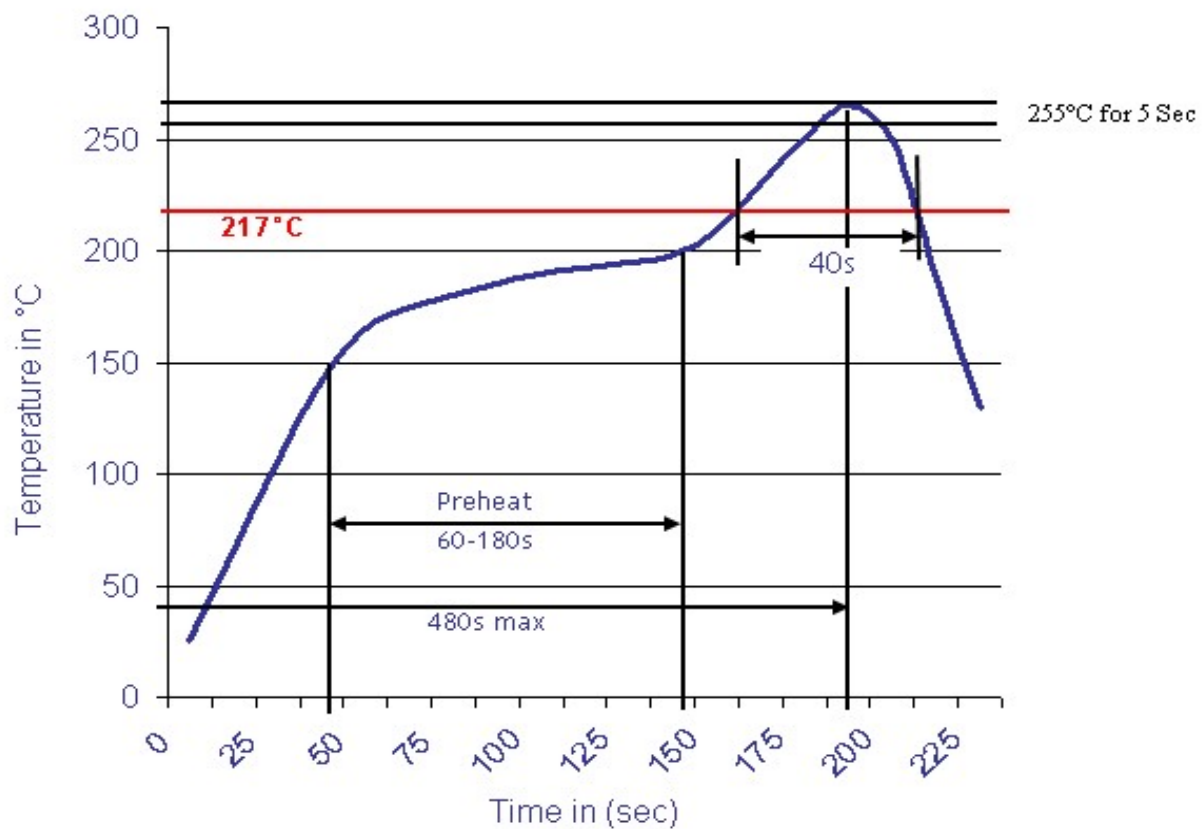
THT PCB GAS-Protector	
Part No.:	R53079
Customer:	

DRW:	Jason	CHKD	Wilson	MATL:	Wilson	TOLERANCE	Mason	DATE	17.01.2023
APPD:	Schumi			FINISH	Jamy		Sheet No.		2 from 3



Soldering Profile Curve

Classification Reflow Profile (JEDEC J-STD-020C)



THT PCB GAS-Protector	
Part No.:	R53079
Customer:	

DRW:	Jason	CHKD:	Wilson	MATL:	Wilson	TOLERANCE:	Mason	DATE:	17.01.2023
APPD:	Schumi			FINISH:	Jamy		Sheet No.		3 from 3