

# EDCON-COMPONENTS



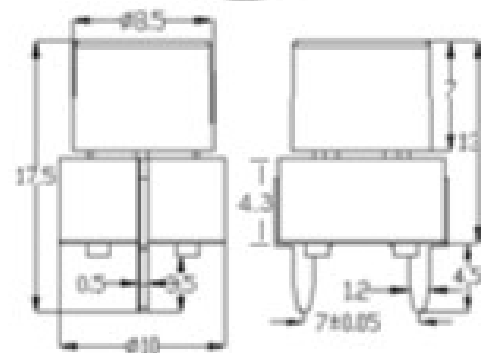
## Technical Discription

## Drawing

Rated Current: 50mA ~ 6,3A  
 Rated Voltage: 250VAC  
 Fuse Type/Size: TR5

Material: PA66/H62  
 Soldering Temperature: 240°C

Approval:



<b>THT TR5 PCB Fuse Holder</b>	
Part No.:	<b>R53076</b>
Customer:	

DRW:	Jason	CHKD:	Wilson	MATL:	Wilson	TOLERANCE:	Mason	DATE:	10.03.2026
APPD:	Schumi			FINISH:	Jamy		Sheet No.		1 from 3

[www.edcon-components.com](http://www.edcon-components.com)

email: [info@edcon-components.com](mailto:info@edcon-components.com)

# EDCON-COMPONENTS



## Ordering Informations

Serie	Spezial Function	Spezial Function	ROHS	Packing						
<b>R53076</b>	<b>0</b>	<b>0</b>	<b>R</b>	<b>BU</b>						

<b>0</b> = No function	<b>0</b> = No function	<b>R</b> = ROHS Conform	<b>BU</b> = Bulk-Ware

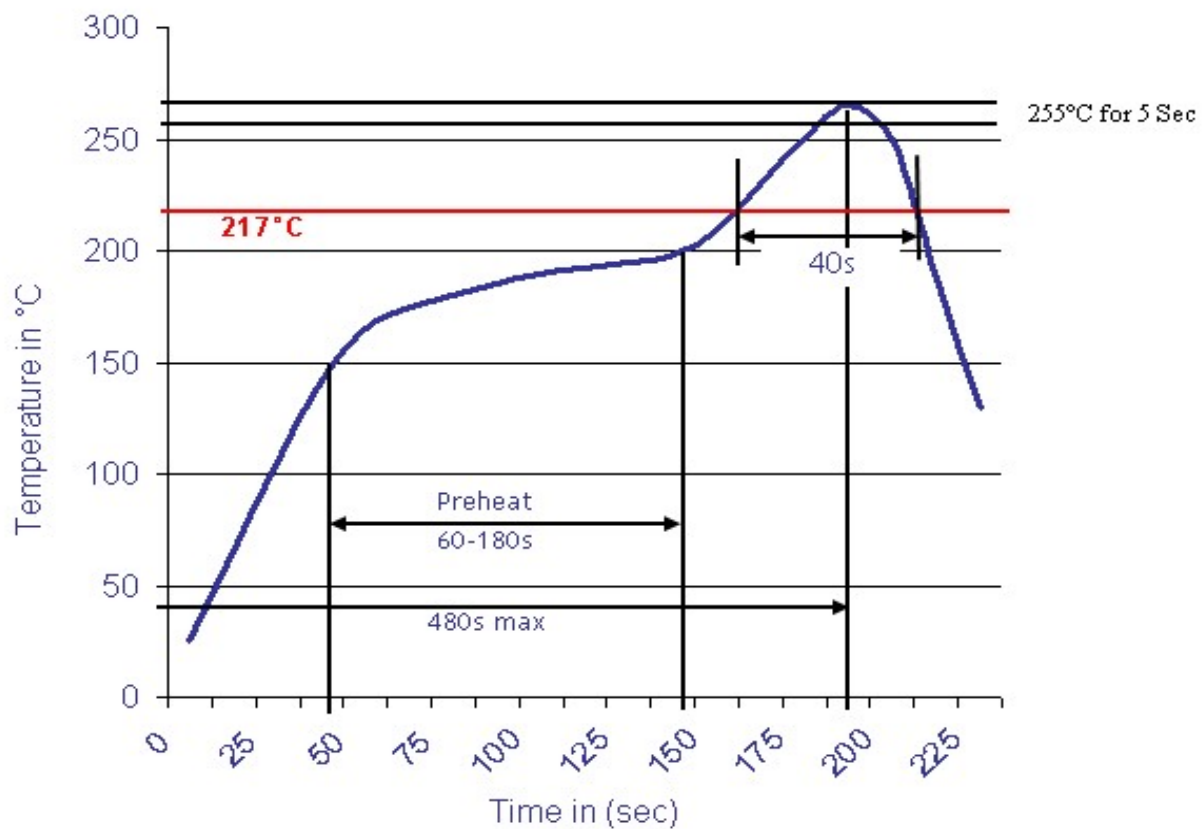
<b>THT TR5 PCB Fuse Holder</b>	
Part No.:	<b>R53076</b>
Customer:	

DRW:	Jason	CHKD	Wilson	MATL:	Wilson	TOLERANCE	Mason	DATE	10.03.2026
APPD:	Schumi			FINISH	Jamy		Sheet No.		2 from 3



Soldering Profile Curve

Classification Reflow Profile (JEDEC J-STD-020C)



<b>THT TR5 PCB Fuse Holder</b>	
Part No.:	<b>R53076</b>
Customer:	

DRW:	Jason	CHKD:	Wilson	MATL:	Wilson	TOLERANCE:	Mason	DATE:	10.03.2026
APPD:	Schumi	FINISH:	Jamy			Sheet No.:			3 from 3