

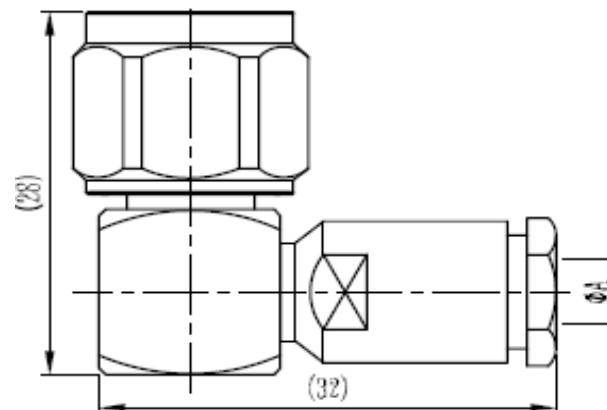
EDCON-COMPONENTS



Electric Data

Characteristic Impedance	50 Ohm
Frequency Range	0-11 GHz
Working Voltage	500 VRMS (max sea Level)
Dielectric Withstanding Voltage	1500 VRMS (min sea Level)
VSWR	R/A ≤ 1.50
Contact Resistance	Inner: 1.5 milliohms (max.) Outer: 0.2 milliohms (max.)
Insulation Resistance	5000 Megaohms (min)

Drawing (dimensions all into mm)



Mechanical Data

Durability Mating	500 Cycles (min)
-------------------	------------------

Material Data

Connector Parts	Materials	Plating Finish
Body	Brass	Nickel or Silver
Male Pin	Brass	Gold or Silver
Insulators	PTFE	N/A
Clamp Gaskets	Silicone Rubber or Synthetic Rubber	N/A

Description

- A** A= 4.5
- B** A= 5.5
- C** A= 5.5

Environmental Data

Temperature Range	-65 ~ +165°C
-------------------	--------------

TNC Male R/A Clamp Hexagonal Type

Part No.: **T55T1106-**

Note: We can provide other materials and plating specifications according to customers requirements

DRW:	Jason	CHKD	Wilson	MATL:	Wilson	TOLERANCE	Mason	DATE	19.12.2017	Customer:
APPD:	Schumi			FINISH	Jamy		Sheet No.	1 from 2		

www.edcon-components.com

email: info@edcon-components.com

EDCON-COMPONENTS



Ordering Informations

Serie	Impedance	Body Materials	Body Plating	Contact Pin Materials	Contact Pin Plating	Special function	ROHS	Packing			
T55T1106-	50	BR	NI	BR	GO	A	R	BU			

50= 50Ω	BR= Brass Material	NI= Nickel Plated	BR= Brass Material	GO= Gold Plated	A= look Description A	R= ROHS Conform	BU= Bulk Ware
		SI= Silver Plated		SI= Silver Plated		N= NON ROHS Conform	IV= Individual Package
						C= look Description C	

- A= 4/50S (SFF-50-2-1)**
- B= 5/50S (SFF-50-3-1, SYV-50-3, RG-58/U, 141A/U, LMR-195, LMR-200)**
- C= 5/50D (RG-55/U, 142B/U, 400/U)**

TNC Male R/A Clamp Hexagonal Type

Part No.: **T55T1106-**

DRW:	Jason	CHKD	Wilson	MATL:	Wilson	TOLERANCE	Mason	DATE	19.12.2017	Customer:
APPD:	Schumi			FINISH	Jamy		Sheet No.	2 from 2		