

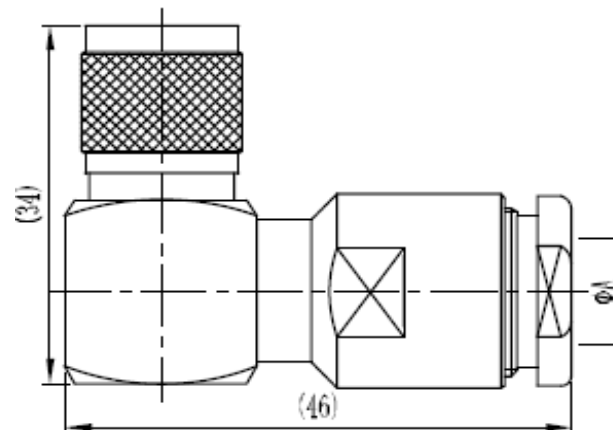
# EDCON-COMPONENTS



## Electric Data

Characteristic Impedance	50 Ohm
Frequency Range	0-11 GHz
Working Voltage	500 VRMS (max sea Level)
Dielectric Withstanding Voltage	1500 VRMS (min sea Level)
VSWR	R/A ≤ 1.50
Contact Resistance	Inner: 1.5 milliohms (max.) Outer: 0.2 milliohms (max.)
Insulation Resistance	5000 Megaohms (min)

## Drawing ( dimensions all into mm)



## Mechanical Data

Durability Mating	500 Cycles (min)
-------------------	------------------

## Material Data

Connector Parts	Materials	Plating Finish
Body	Brass	Nickel or Silver
Male Pin	Brass	Gold or Silver
Insulators	PTFE	N/A
Clamp Gaskets	Silicone Rubber or Synthetic Rubber	N/A

## Description

<b>A</b>	A= 10.8
<b>B</b>	A= 11.5

## Environmental Data

Temperature Range	-65 ~ +165°C
-------------------	--------------

**TNC Male R/A Clamp Type**

Part No.: **T55T1105-**

Note: We can provide other materials and plating specifications according to customers requirements

DRW:	Jason	CHKD	Wilson	MATL:	Wilson	TOLERANCE	Mason	DATE	19.12.2017
APPD:	Schumi			FINISH	Jamy		Sheet No.		1 from 2

Customer:  
email: info@edcon-components.com

[www.edcon-components.com](http://www.edcon-components.com)

# EDCON-COMPONENTS



## Ordering Informations

Serie	Impedance	Body Materials	Body Plating	Contact Pin Materials	Contact Pin Plating	Special function	ROHS	Packing			
<b>T55T1105-</b>	<b>50</b>	<b>BR</b>	<b>NI</b>	<b>BR</b>	<b>GO</b>	<b>A</b>	<b>R</b>	<b>BU</b>			

<b>50=</b> 50Ω	<b>BR=</b> Brass Material	<b>NI=</b> Nickel Plated	<b>BR=</b> Brass Material	<b>GO=</b> Gold Plated	<b>A=</b> look Description A	<b>R=</b> ROHS Conform	<b>BU=</b> Bulk Ware
		<b>SI=</b> Silver Plated		<b>SI=</b> Silver Plated		<b>N=</b> NON ROHS Conform	<b>IV=</b> Individual Package
					<b>B=</b> look Description B		

**A= 10/50S ( SYV-50-7-1, RG-8/U, 165/U, 213/U, 7D-FB, LMR400 )**  
**B= 11/50D ( SYV-50-7-2, RG-9/U, 214/U, 225/U )**

**TNC Male R/A Clamp Type**

Part No.: **T55T1105-**

DRW:	Jason	CHKD	Wilson	MATL:	Wilson	TOLERANCE	Mason	DATE	19.12.2017	Customer:
APPD:	Schumi			FINISH	Jamy		Sheet No.	2 from 2		