

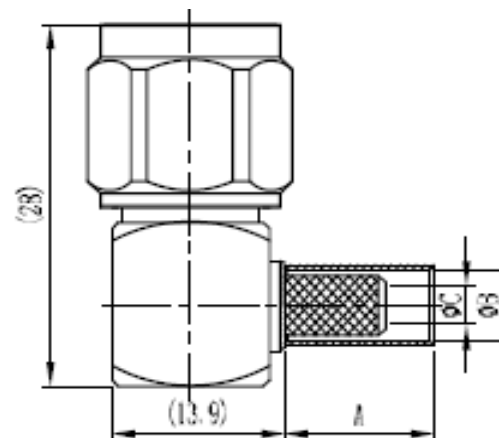
# EDCON-COMPONENTS



## Electric Data

Characteristic Impedance	50 Ohm
Frequency Range	0-11 GHz
Working Voltage	500 VRMS (max sea Level)
Dielectric Withstanding Voltage	1500 VRMS (min sea Level)
VSWR	R/A ≤ 1.50
Contact Resistance	Inner: 1.5 milliohms (max.) Outer: 0.2 milliohms (max.)
Insulation Resistance	5000 Megaohms (min)

## Drawing ( dimensions all into mm )



## Mechanical Data

Durability Mating	500 Cycles (min)
-------------------	------------------

## Material Data

Connector Parts	Materials	Plating Finish
Body	Brass	Nickel or Silver
Male Pin	Brass	Gold or Silver
Insulators	PTFE	N/A
Clamp Gaskets	Silicone Rubber or Synthetic Rubber	N/A
Crimp Ferrules	Annealed Copper	Nickel or Silver

## Description

<b>A</b>	A= 7.2 , B= 2.5 , C= 1.0
<b>B</b>	A= 9.0 , B= 2.8 , C= 1.6
<b>C</b>	A= 12 , B= 3.2 , C= 1.6
<b>D</b>	A= 12 , B= 3.7 , C= 2.3
<b>E</b>	A= 12 , B= 5.5 , C= 3.2

## Environmental Data

Temperature Range	-65 ~ +165°C
-------------------	--------------

**TNC Male R/A Crimp Hexagonal Type**

Part No.: **T55T1098-**

Note: We can provide other materials and plating specifications according to customers requirements

DRW:	Jason	CHKD	Wilson	MATL:	Wilson	TOLERANCE	Mason	DATE	19.12.2017
APPD:	Schumi			FINISH	Jamy		Sheet No.		1 from 2

Customer:

[www.edcon-components.com](http://www.edcon-components.com)

email: [info@edcon-components.com](mailto:info@edcon-components.com)

# EDCON-COMPONENTS



## Ordering Informations

Serie	Impedance	Body Materials	Body Plating	Contact Pin Materials	Contact Pin Plating	Special function	ROHS	Packing			
<b>T55T1098-</b>	<b>50</b>	<b>BR</b>	<b>NI</b>	<b>BR</b>	<b>GO</b>	<b>A</b>	<b>R</b>	<b>BU</b>			

<b>50= 50Ω</b>	<b>BR= Brass Material</b>	<b>NI= Nickel Plated</b>	<b>BR= Brass Material</b>	<b>GO= Gold Plated</b>	<b>A= look Description A</b>	<b>R= ROHS Conform</b>	<b>BU= Bulk Ware</b>	
		<b>SI= Silver Plated</b>		<b>SI= Silver Plated</b>		<b>B= look Description B</b>	<b>N= NON ROHS Conform</b>	<b>IV= Individual Package</b>
						<b>C= look Description C</b>		
						<b>D= look Description D</b>	<b>E= look Description E</b>	

- A= 2/50S ( SFF-50-1, SYV-50-1, RG-178B/U, 196/U )**
- B= 2.6/50S ( SFF-50-1.5-1, RG-174/U, 188A/U, 316/U, LMR-100A )**
- C= 3/50S ( SYV-50-2-1 )**
- D= 4/50S ( SFF-50-2-1 )**
- E= 5/50S ( SFF-50-3-1, SYV-50-3, RG-58/U, 141A/U, LMR-195, LMR-200 )**

**TNC Male R/A Crimp Hexagonal Type**

Part No.: **T55T1098-**

DRW:	Jason	CHKD	Wilson	MATL:	Wilson	TOLERANCE	Mason	DATE	19.12.2017	Customer:
APPD:	Schumi			FINISH	Jamy		Sheet No.	2 from 2		