

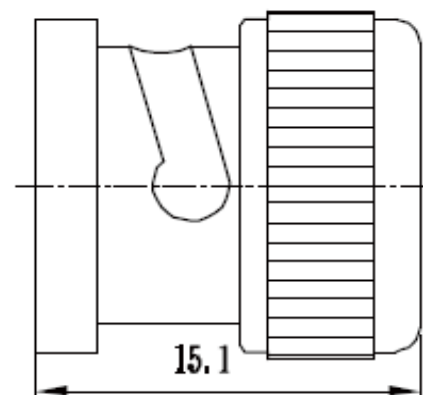
EDCON-COMPONENTS



Electric Data

Characteristic Impedance	50 Ohm, 75 Ohm
Frequency Range	0-4 GHz
Working Voltage	500 VRMS (max sea Level)
Dielectric Withstanding Voltage	1500 VRMS (min sea Level)
VSWR	N/A
Contact Resistance	Inner: 1.5 milliohms (max.) Outer: 1 milliohms (max.)
Insulation Resistance	5000 Megaohms (min)

Drawing (dimensions all into mm)



Mechanical Data

Durability Mating	500 Cycles (min)
-------------------	------------------

Material Data

Connector Parts	Materials	Plating Finish
Body	Brass	Nickel
Male Pin	Brass	Silver
Insulators	PTFE	N/A

PCB Layout

Environmental Data

Temperature Range	-65 ~ +165°C
-------------------	--------------

BNC Male Terminator Cap

Part No.: **T55S1145-**

Note: We can provide other materials and plating specifications according to customers requirements

DRW:	Jason	CHKD	Wilson	MATL:	Wilson	TOLERANCE	Mason	DATE	14.12.2017	Customer:
APPD:	Schumi			FINISH	Jamy		Sheet No.	1 from 2		

www.edcon-components.com

email: info@edcon-components.com

EDCON-COMPONENTS



Ordering Informations

Serie	Impedance	Contact Pin Plating	Body Material	Body Plating	Special function	Contact Pin Material	ROHS	Packing		
T55S1145-	50	SI	BR	NI	N	BR	R	BU		
	50= 50Ω	SI= Silver Plated	BR= Brass Material	NI= Nickel Plated	N=No Special	BR=Brass Material	R= ROHS Conform	BU= Bulk Ware		
	75= 75Ω						N= NON ROHS Conform	IV= Individual Package		

BNC Male Terminator Cap
Part No.: T55S1145-
Customer:

DRW:	Jason	CHKD	Wilson	MATL:	Wilson	TOLERANCE	Mason	DATE	14.12.2017
APPD:	Schumi			FINISH	Jamy		Sheet No.		2 from 2