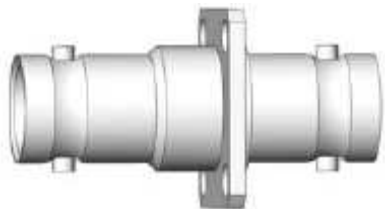


EDCON-COMPONENTS



Electric Data

Characteristic Impedance	50 Ohm, 75 Ohm
Frequency Range	0-4 GHz
Working Voltage	500 VRMS (max sea Level)
Dielectric Withstanding Voltage	1500 VRMS (min sea Level)
VSWR	≤ 1.30
Contact Resistance	Inner: 1.5 milliohms (max.) Outer: 1 milliohms (max.)
Insulation Resistance	5000 Megaohms (min)

Mechanical Data

Durability Mating	500 Cycles (min)
-------------------	------------------

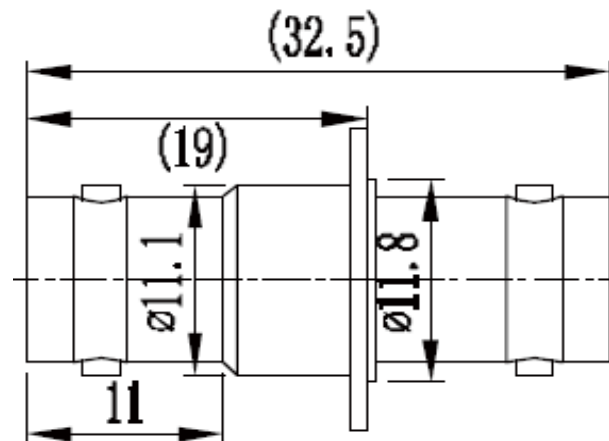
Material Data

Connector Parts	Materials	Plating Finish
Body	Brass	Nickel
Female Pin	Beryllium Bronze or Phosphor Bronze	Gold
Insulators	PTFE	N/A

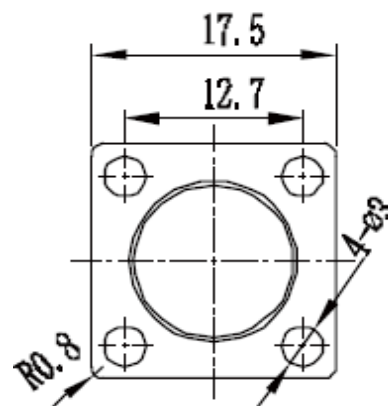
Environmental Data

Temperature Range	-65 ~ +165°C
-------------------	--------------

Drawing (dimensions all into mm)



PCB Layout



**BNC Female To Female Flange
Panel Mount Type Adaptor**

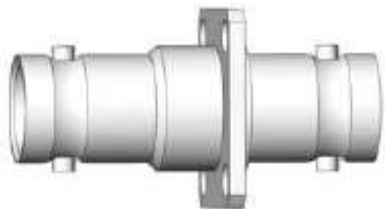
Part No.: **T55S1144-**

Note: We can provide other materials and plating specifications according to customers requirements

DRW:	Jason	CHKD	Wilson	MATL:	Wilson	TOLERANCE	Mason	DATE	14.12.2017
APPD:	Schumi			FINISH	Jamy		Sheet No.		1 from 2

Customer:

EDCON-COMPONENTS



Ordering Informations

Serie	Impedance	Contact Pin Plating	Body Material	Body Plating	Special function	Contact Pin Material	ROHS	Packing		
-------	-----------	---------------------	---------------	--------------	------------------	----------------------	------	---------	--	--

T55S1144-	50	G0	BR	NI	N	BB	R	BU		
------------------	-----------	-----------	-----------	-----------	----------	-----------	----------	-----------	--	--

50= 50Ω	G0= Gold Plated	BR= Brass Material	NI= Nickel Plated	N=No Special	BB=BE Bronze	R= ROHS Conform	BU= Bulk Ware		
----------------	------------------------	---------------------------	--------------------------	---------------------	---------------------	------------------------	----------------------	--	--

75= 75Ω					PB= P Bronze	N= NON ROHS Conform	IV= Individual Package		
----------------	--	--	--	--	---------------------	----------------------------	-------------------------------	--	--

**BNC Female To Female Flange
Panel Mount Type Adaptor**

Part No.: **T55S1144-**

DRW:	Jason	CHKD	Wilson	MATL:	Wilson	TOLERANCE	Mason	DATE	14.12.2017
APPD:	Schumi			FINISH	Jamy		Sheet No.		2 from 2

Customer: