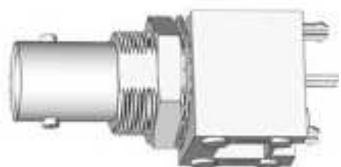


# EDCON-COMPONENTS



## Electric Data

Characteristic Impedance	50 Ohm, 75 Ohm
Frequency Range	0-4 GHz
Working Voltage	500 VRMS (max sea Level)
Dielectric Withstanding Voltage	1500 VRMS (min sea Level)
VSWR	≤ 1.30

Contact Resistance	Inner: 1.5 milliohms (max.) Outer: 1 milliohms (max.)
Insulation Resistance	5000 Megaohms (min)

## Mechanical Data

Durability Mating	500 Cycles (min)
-------------------	------------------

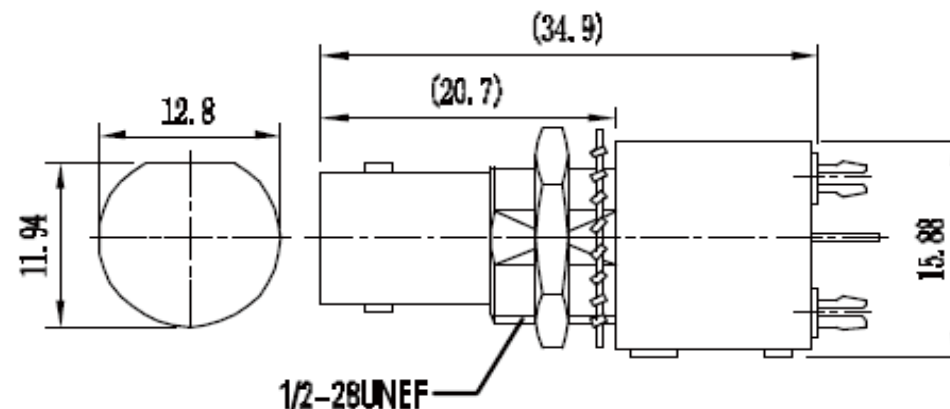
## Material Data

Connector Parts	Materials	Plating Finish
Body	Zinc	Nickel
Female Pin	Beryllium Bronze or Phosphor Bronze	Gold
Insulators	PTFE	N/A

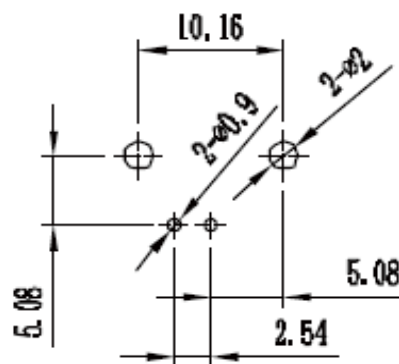
## Environmental Data

Temperature Range	-65 ~ +165°C
-------------------	--------------

## Drawing ( dimensions all into mm)



## PCB Layout



**BNC Female Straight PCB Mount Zinc Body**

Part No.: **T55S1138-**

Note: We can provide other materials and plating specifications according to customers requirements

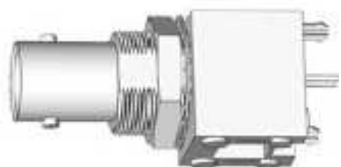
DRW:	Jason	CHKD	Wilson	MATL:	Wilson	TOLERANCE	Mason	DATE	14.12.2017
APPD:	Schumi			FINISH	Jamy		Sheet No.		1 from 2

Customer:  
email: info@edcon-components.com

[www.edcon-components.com](http://www.edcon-components.com)

Copyright by S.Tiede

# EDCON-COMPONENTS



## Ordering Informations

Serie	Impedance	Contact Pin Plating	Body Material	Body Plating	Special function	Contact Pin Material	ROHS	Packing		
-------	-----------	---------------------	---------------	--------------	------------------	----------------------	------	---------	--	--

<b>T55S1138-</b>	<b>50</b>	<b>G0</b>	<b>ZN</b>	<b>NI</b>	<b>N</b>	<b>BB</b>	<b>R</b>	<b>BU</b>		
------------------	-----------	-----------	-----------	-----------	----------	-----------	----------	-----------	--	--

<b>50= 50Ω</b>	<b>G0= Gold Plated</b>	<b>ZN= Zinc Plated</b>	<b>NI= Nickel Plated</b>	<b>N=No Special</b>	<b>BB=BE Bronze</b>	<b>R= ROHS Conform</b>	<b>BU= Bulk Ware</b>		
----------------	------------------------	------------------------	--------------------------	---------------------	---------------------	------------------------	----------------------	--	--

<b>75= 75Ω</b>					<b>PB= P Bronze</b>	<b>N= NON ROHS Conform</b>	<b>IV= Individual Package</b>		
----------------	--	--	--	--	---------------------	----------------------------	-------------------------------	--	--


<b>BNC Female Straight PCB Mount Zinc Body</b>	
Part No.:	<b>T55S1138-</b>

DRW:	Jason	CHKD	Wilson	MATL:	Wilson	TOLERANCE	Mason	DATE	14.12.2017
APPD:	Schumi			FINISH	Jamy		Sheet No.		2 from 2

Customer:	
-----------	--