

EDCON-COMPONENTS



Electric Data

| | |
|---------------------------------|--|
| Characteristic Impedance | 50 Ohm |
| Frequency Range | 0-10 GHz |
| Working Voltage | 250 VRMS (max sea Level) |
| Dielectric Withstanding Voltage | 750 VRMS (min sea Level) |
| VSWR | Straight 1.25 Max |
| Contact Resistance | Inner: 6milliohms (max.) Outer: 1milliohms (max.) |
| Insulation Resistance | 1000 Megaohms (min) |

Mechanical Data

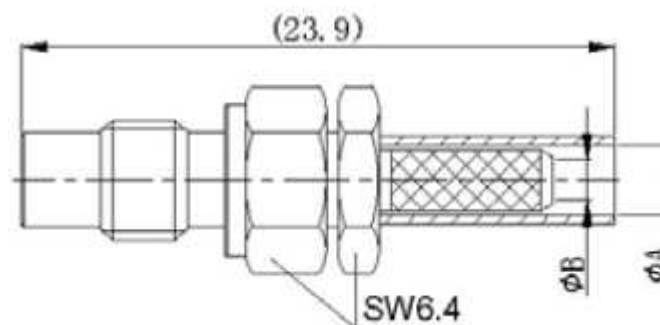
| | |
|-------------------|------------------|
| Durability Mating | 500 Cycles (min) |
|-------------------|------------------|

Material Data

| Connector Parts | Materials | Plating Finish |
|-----------------|--------------|----------------|
| Body | Brass | Gold |
| Male Pin | Brass | Gold |
| Insulators | PTFE | N/A |
| Ferrules | Copper alloy | Nickel |

PCB Layout

Drawing (dimensions all into mm)



Environmental Data

| | |
|-------------------|--------------|
| Temperature Range | -65 ~ +165°C |
|-------------------|--------------|

SMC Male Straight Crimp Type

Part No.: **T55L1032-**

Note: We can provide other materials and plating specifications according to customers requirements

| | | | | | | | | | |
|-------|--------|------|--------|--------|--------|-----------|-----------|------|------------|
| DRW: | Jason | CHKD | Wilson | MATL: | Wilson | TOLERANCE | Mason | DATE | 14.12.2017 |
| APPD: | Schumi | | | FINISH | Jamy | | Sheet No. | | 1 from 2 |

Customer:

www.edcon-components.com

email: info@edcon-components.com

EDCON-COMPONENTS



Ordering Informations

| Serie | Impedance | Contact Pin Plating | Body Material | Body Plating | Special function | Special function | ROHS | Packing | | |
|-------|-----------|---------------------|---------------|--------------|------------------|------------------|------|---------|--|--|
|-------|-----------|---------------------|---------------|--------------|------------------|------------------|------|---------|--|--|

| | | | | | | | | | | |
|------------------|-----------|-----------|-----------|-----------|----------|----------|----------|-----------|--|--|
| T55L1032- | 50 | G0 | BR | G0 | A | N | R | BU | | |
|------------------|-----------|-----------|-----------|-----------|----------|----------|----------|-----------|--|--|

| | | | | | | | | | |
|----------------|------------------------|---------------------------|------------------------|--------------------------|---------------------|----------------------------|-------------------------------|--|--|
| 50= 50Ω | G0= Gold Plated | BR= Brass Material | G0= Gold Plated | A= A=2,5/B=1,0 | N=No Special | R= ROHS Conform | BU= Bulk Ware | | |
| | | | | B= A=2,8/B=1,6 | | N= NON ROHS Conform | IV= Individual Package | | |
| | | | | C= A=3,1/B=1,6 | | | | | |
| | | | | | | | | | |

- A= 2/50S (SFF-50-1, SYV-50-1, RG-178B/U, 196/U)**
- B= 2.6/50S (SFF-50-1.5-1, RG-174/U, 188A/U, 316/U, LMR-100A)**
- C= 3/50S (SYV-50-2-1)**

SMC Male Straight Crimp Type

Part No.: **T55L1032-**

| | | | | | | | | | |
|-------|--------|------|--------|--------|--------|-----------|-----------|------|------------|
| DRW: | Jason | CHKD | Wilson | MATL: | Wilson | TOLERANCE | Mason | DATE | 14.12.2017 |
| APPD: | Schumi | | | FINISH | Jamy | | Sheet No. | | 2 from 2 |

Customer: