

EDCON-COMPONENTS



Electric Data

Characteristic Impedance	75 Ohm
Frequency Range	0-2 GHz(75Ω)
Working Voltage	250 VRMS (max sea Level)
Dielectric Withstanding Voltage	750 VRMS (min sea Level)
VSWR	1.34 Max
Contact Resistance	Inner: 6milliohms (max.) Outer: 1milliohms (max.)
Insulation Resistance	1000 Megaohms (min)

Mechanical Data

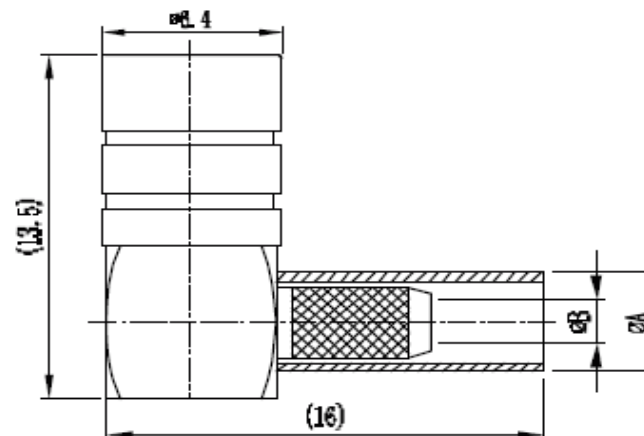
Durability Mating	500 Cycles (min)
-------------------	------------------

Material Data

Connector Parts	Materials	Plating Finish
Body	Brass	Gold
Female Pin	Beryllium Bronze	Gold
Insulators	PTFE	N/A
Ferrules	Copper alloy	Nickel
Spring Contact	Beryllium Bronze	Gold

PCB Layout

Drawing (dimensions all into mm)



Environmental Data

Temperature Range	-65 ~ +165°C
-------------------	--------------

**Mini SMB 75ohm Male R/A
Crimp Type**

Part No.: **T55K1074-**

Note: We can provide other materials and plating specifications according to customers requirements

DRW:	Jason	CHKD	Wilson	MATL:	Wilson	TOLERANCE	Mason	DATE	14.12.2017
APPD:	Schumi			FINISH	Jamy		Sheet No.		1 from 2

Customer:

EDCON-COMPONENTS



Ordering Informations

Serie	Impedance	Contact Pin Plating	Body Material	Body Plating	Special function	Special function	ROHS	Packing		
-------	-----------	---------------------	---------------	--------------	------------------	------------------	------	---------	--	--

T55K1074-	75	G0	BR	G0	A	N	R	BU		
------------------	-----------	-----------	-----------	-----------	----------	----------	----------	-----------	--	--

75= 75Ω	G0= Gold Plated	BR= Brass Material	G0= Gold Plated	A= A=2,8/B=1,6	N=No Special	R= ROHS Conform	BU= Bulk Ware		
				B= A=3,1/B=1,6		N= NON ROHS Conform	IV= Individual Package		
				C= A=4,0/B=2,1					

A= 2.6/75S (SFF-75-1.5-1, RG-179B/U, 187/U, 1.5C-2V, Flex 1.5, Flex 2)
B= 3/75S (SYV-75-2, RA 8000)
C= 4/75S (SYV-75-2-1)

Mini SMB 75ohm Male R/A Crimp Type

Part No.: **T55K1074-**

DRW:	Jason	CHKD	Wilson	MATL:	Wilson	TOLERANCE	Mason	DATE	14.12.2017
APPD:	Schumi			FINISH	Jamy		Sheet No.		2 from 2

Customer: