

# EDCON-COMPONENTS



## Electric Data

Characteristic Impedance	75 Ohm
Frequency Range	0-2 GHz(75Ω)
Working Voltage	250 VRMS (max sea Level)
Dielectric Withstanding Voltage	750 VRMS (min sea Level)
VSWR	1.34 Max
Contact Resistance	Inner: 6milliohms (max.) Outer: 1milliohms (max.)
Insulation Resistance	1000 Megaohms (min)

## Mechanical Data

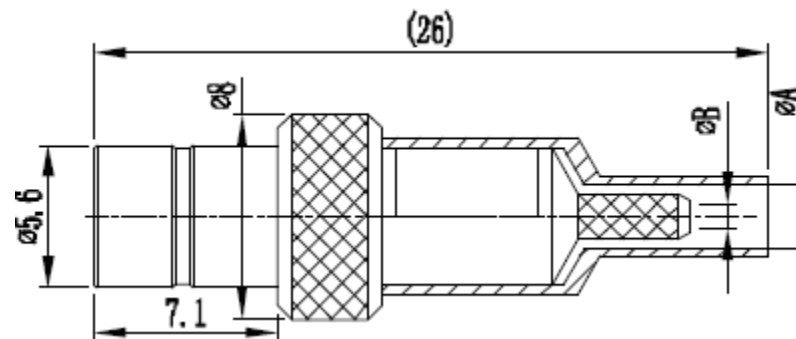
Durability Mating	500 Cycles (min)
-------------------	------------------

## Material Data

Connector Parts	Materials	Plating Finish
Body	Brass	Gold
Male Pin	Brass	Gold
Insulators	PTFE	N/A
Ferrules	Copper alloy	Nickel

## PCB Layout

## Drawing ( dimensions all into mm)



## Environmental Data

Temperature Range	-65 ~ +165°C
-------------------	--------------

**SMB 75ohm Female Straight Crimp Type With Solder Window**

Part No.: **T55K1066-**

Note: We can provide other materials and plating specifications according to customers requirements

DRW:	Jason	CHKD	Wilson	MATL:	Wilson	TOLERANCE	Mason	DATE	14.12.2017
APPD:	Schumi			FINISH	Jamy		Sheet No.		1 from 2

Customer:

# EDCON-COMPONENTS



## Ordering Informations

Serie	Impedance	Contact Pin Plating	Body Material	Body Plating	Special function	Special function	ROHS	Packing		
-------	-----------	---------------------	---------------	--------------	------------------	------------------	------	---------	--	--

<b>T55K1066-</b>	<b>75</b>	<b>G0</b>	<b>BR</b>	<b>G0</b>	<b>A</b>	<b>N</b>	<b>R</b>	<b>BU</b>		
------------------	-----------	-----------	-----------	-----------	----------	----------	----------	-----------	--	--

<b>75= 75Ω</b>	<b>G0= Gold Plated</b>	<b>BR= Brass Material</b>	<b>G0= Gold Plated</b>	<b>A=</b> A=2,5/B=1,0	<b>N=No Special</b>	<b>R= ROHS Conform</b> <b>N= NON ROHS Conform</b>	<b>BU= Bulk Ware</b> <b>IV= Individual Package</b>		
				<b>B=</b> A=2,8/B=1,6					
				<b>C=</b> A=4,0/B=2,3					
				<b>D=</b> A=6,8/B=3,8					

- A= 2/75S ( SFF-75-1 )**
- B= 2.6/75S ( SFF-75-1.5-1, RG-179B/U, 187/U, 1.5C-2V, Flex 1.5, Flex 2 )**
- C= 4/75S ( SYV-75-2-1 )**
- D= 7/75S ( SYV-75-5 )**

**SMB 75ohm Female Straight Crimp Type With Solder Window**

Part No.: **T55K1066-**

DRW:	Jason	CHKD	Wilson	MATL:	Wilson	TOLERANCE	Mason	DATE	14.12.2017
APPD:	Schumi			FINISH	Jamy		Sheet No.		2 from 2

Customer: