

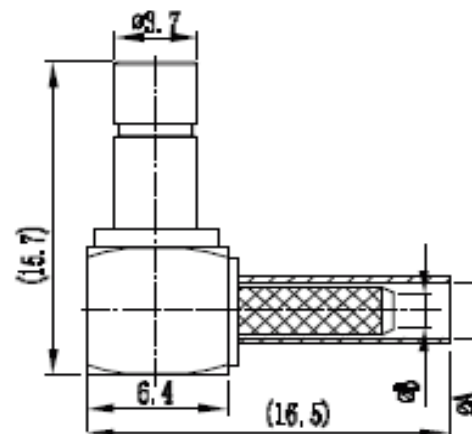
# EDCON-COMPONENTS



## Electric Data

Characteristic Impedance	50 Ohm
Frequency Range	0-4 GHz(50Ω)
Working Voltage	250 VRMS (max sea Level)
Dielectric Withstanding Voltage	750 VRMS (min sea Level)
VSWR	1.34 Max
Contact Resistance	Inner: 6milliohms (max.) Outer: 1milliohms (max.)
Insulation Resistance	1000 Megaohms (min)

## Drawing ( dimensions all into mm)



## Mechanical Data

Durability Mating	500 Cycles (min)
-------------------	------------------

## Material Data

Connector Parts	Materials	Plating Finish
Body	Brass	Gold
Male Pin	Brass	Gold
Insulators	PTFE	N/A
Ferrules	Copper alloy	Nickel

## PCB Layout

## Environmental Data

Temperature Range	-65 ~ +165°C
-------------------	--------------

**SMB 50ohm Female R/A Crimp Type**

Part No.: **T55K1047-**

Note: We can provide other materials and plating specifications according to customers requirements

DRW:	Jason	CHKD	Wilson	MATL:	Wilson	TOLERANCE	Mason	DATE	14.12.2017
APPD:	Schumi			FINISH	Jamy		Sheet No.		1 from 2

Customer:

[www.edcon-components.com](http://www.edcon-components.com)

email: [info@edcon-components.com](mailto:info@edcon-components.com)

# EDCON-COMPONENTS



## Ordering Informations

Serie	Impedance	Contact Pin Plating	Body Material	Body Plating	Special function	Special function	ROHS	Packing		
-------	-----------	---------------------	---------------	--------------	------------------	------------------	------	---------	--	--

<b>T55K1047-</b>	<b>50</b>	<b>G0</b>	<b>BR</b>	<b>G0</b>	<b>A</b>	<b>N</b>	<b>R</b>	<b>BU</b>		
------------------	-----------	-----------	-----------	-----------	----------	----------	----------	-----------	--	--

<b>50=</b> 50Ω	<b>G0=</b> Gold Plated	<b>BR=</b> Brass Material	<b>G0=</b> Gold Plated	<b>A=</b> A=2,5/B=1,0	<b>N=</b> No Special	<b>R=</b> ROHS Conform	<b>BU=</b> Bulk Ware		
				<b>B=</b> A=2,8/B=1,6		<b>N=</b> NON ROHS Conform	<b>IV=</b> Individual Package		
				<b>C=</b> A=3,1/B=1,6					
				<b>D=</b> A=3,1/B=1,6					
				<b>E=</b> A=4,2/B=2,3					
				<b>F=</b> A=5,2/B=3,1					

- A= 2/50S ( SFF-50-1, SYV-50-1, RG-178B/U, 196/U )**
- B= 2.6/50S ( SFF-50-1.5-1, RG-174/U, 188A/U, 316/U, LMR-100A )**
- C= 2.6/50D ( RG-316DT, RD-316 )**
- D= 3/50S ( SYV-50-2-1 )**
- E= 4/50S ( SFF-50-2-1 )**
- F= 5/50S ( SFF-50-3-1, SYV-50-3, RG-58/U, 141A/U, LMR-195, LMR-200 )**

**SMB 50ohm Female R/A Crimp Type**

Part No.: **T55K1047-**

DRW:	Jason	CHKD	Wilson	MATL:	Wilson	TOLERANCE	Mason	DATE	14.12.2017
APPD:	Schumi			FINISH	Jamy		Sheet No.		2 from 2

Customer: