

EDCON-COMPONENTS



Electric Data

Characteristic Impedance	50 Ohm
Frequency Range	Flexible Cable:DC-12.4 GHz
Working Voltage	335 VRMS (max sea Level)
Dielectric Withstanding Voltage	1000 VRMS (min sea Level)
VSWR	Straight connector with flexible cable 1.15+0.02f
Contact Resistance	Inner: 3milliohms (max.) Outer: 2milliohms (max.)
Insulation Resistance	5000 Megaohms (min)

Mechanical Data

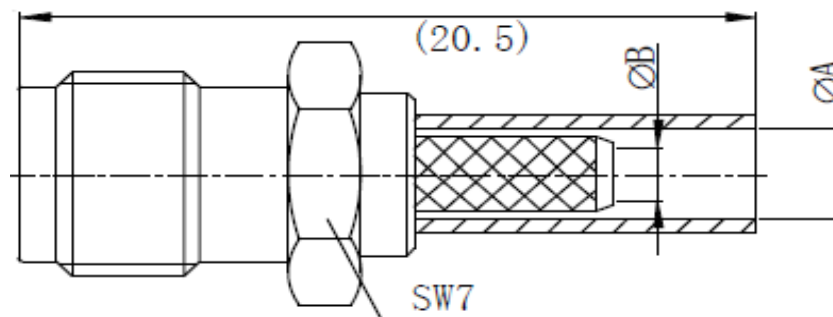
Durability Mating	500 Cycles (min)
-------------------	------------------

Material Data

Connector Parts	Materials	Plating Finish
Body	Brass or SS	Gold or Request
Female Pin	Phosphor Bronze	Gold
Insulators	PTFE	N/A
Ferrules	Copper alloy	Nickel

PCB Layout

Drawing (dimensions all into mm)



Environmental Data

Temperature Range	-65 ~ +165°C
-------------------	--------------

**SMA Female Straight Crimp
Reverse Polarity**

Part No.: **T55J1129-**

Note: We can provide other materials and plating specifications according to customers requirements

DRW:	Jason	CHKD	Wilson	MATL:	Wilson	TOLERANCE	Mason	DATE	14.12.2017
APPD:	Schumi			FINISH	Jamy		Sheet No.		1 from 2

Customer:

EDCON-COMPONENTS



Ordering Informations

Serie	Impedance	Contact Pin Plating	Body Material	Body Plating	Special function	Special function	ROHS	Packing		
T55J1129-	50	G0	BR	G0	A	N	R	BU		

50= 50Ω	G0= Gold Plated	BR= Brass Material	G0= Gold Plated	A= A=2,8/B=1,6	N= Special	R= ROHS Conform	BU= Bulk Ware		
		SS= Stainless Steel		B= A=3,4/B=1,6		N= NON ROHS Conform	IV= Individual Package		
				C= A=5,2/B=3,1					
				D= A=5,7/B=3,1					

A= 2.6/50S (SFF-50-1.5-1, RG-174/U, 188A/U, 316/U, LMR-100A)

B= 2.6/50D (RG-316DT, RD-316)

C= 5/50S (SFF-50-3-1, SYV-50-3, RG-58/U, 141A/U, LMR-195, LMR-200)

D= 5/50D (RG-55/U, 142B/U, 400/U)

**SMA Female Straight Crimp
Reverse Polarity**

Part No.: **T55J1129-**

DRW:	Jason	CHKD	Wilson	MATL:	Wilson	TOLERANCE	Mason	DATE	14.12.2017
APPD:	Schumi			FINISH	Jamy		Sheet No.		2 from 2

Customer: