

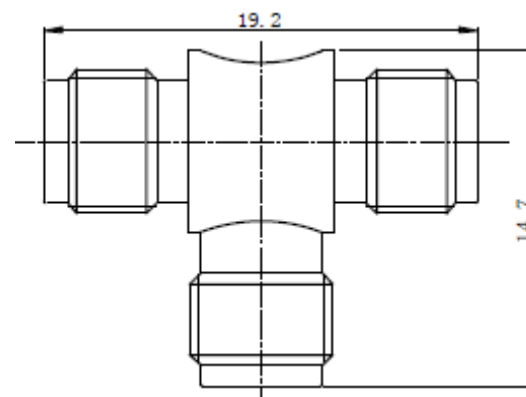
EDCON-COMPONENTS



Electric Data

| | |
|---------------------------------|--|
| Characteristic Impedance | 50 Ohm |
| Frequency Range | DC-18GHz |
| Working Voltage | 335 VRMS (max sea Level) |
| Dielectric Withstanding Voltage | 1000 VRMS (min sea Level) |
| VSWR | R/A: 1.5 |
| Contact Resistance | Inner: 3milliohms (max.) Outer: 2milliohms (max.) |
| Insulation Resistance | 5000 Megaohms (min) |

Drawing (dimensions all into mm)



Mechanical Data

| | |
|-------------------|------------------|
| Durability Mating | 500 Cycles (min) |
|-------------------|------------------|

Material Data

| Connector Parts | Materials | Plating Finish |
|-----------------|-----------------|-----------------|
| Body | Brass or SS | Gold or Request |
| Female Pin | Phosphor Bronze | Gold |
| Insulators | PTFE | N/A |

PCB Layout

Environmental Data

| | |
|-------------------|--------------|
| Temperature Range | -65 ~ +165°C |
|-------------------|--------------|

**SMA Double Females To
Female Type Adaptor**

Part No.: **T55J1126-**

Note: We can provide other materials and plating specifications according to customers requirements

| | | | | | | | | | |
|-------|--------|------|--------|--------|--------|-----------|-----------|------|------------|
| DRW: | Jason | CHKD | Wilson | MATL: | Wilson | TOLERANCE | Mason | DATE | 14.12.2017 |
| APPD: | Schumi | | | FINISH | Jamy | | Sheet No. | | 1 from 2 |

Customer:

www.edcon-components.com

email: info@edcon-components.com

EDCON-COMPONENTS



Ordering Informations

| Serie | Impedance | Contact Pin Plating | Body Material | Body Plating | Special function | Special function | ROHS | Packing | | |
|------------------|----------------|------------------------|---|------------------------|-------------------|-------------------|--|---|--|--|
| T55J1126- | 50 | G0 | BR | G0 | N | N | R | BU | | |
| | 50= 50Ω | G0= Gold Plated | BR= Brass Material SS= Stainless Steel | G0= Gold Plated | N= Special | N= Special | R= ROHS Conform N= NON ROHS Conform | BU= Bulk Ware IV= Individual Package | | |

| | |
|--|------------------|
| SMA Double Females To Female Type Adaptor | |
| Part No.: | T55J1126- |
| Customer: | |

| | | | | | | | | | |
|-------|--------|------|--------|--------|--------|-----------|-----------|------|------------|
| DRW: | Jason | CHKD | Wilson | MATL: | Wilson | TOLERANCE | Mason | DATE | 14.12.2017 |
| APPD: | Schumi | | | FINISH | Jamy | | Sheet No. | | 2 from 2 |