

# EDCON-COMPONENTS



## Electric Data

|                                 |  |
|---------------------------------|--|
| Characteristic Impedance        | 50 Ohm   |
| Frequency Range                 | DC-18GHz   |
| Working Voltage                 | 335VRMS (max sea Level)                              |
| Dielectric Withstanding Voltage | 1000VRMS (min sea Level)                             |
| VSWR                            | Straight : 1.3                                       |
| Contact Resistance              | Inner: 3milliohms (max.)<br>Outer: 2milliohms (max.) |
| Insulation Resistance           | 5000 Megaohms (min)                                  |

## Mechanical Data

|                   |                  |
|-------------------|------------------|
| Durability Mating | 500 Cycles (min) |
|-------------------|------------------|

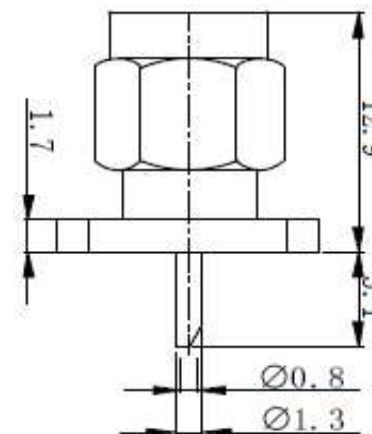
## Material Data

| Connector Parts | Materials      | Plating Finish  |
|-----------------|----------------|-----------------|
| Body            | Brass or SS    | Gold or Request |
| Male Pin        | Brass          | Gold            |
| Insulators      | PTFE           | N/A             |
| Gasket          | Silicon rubber | N/A             |

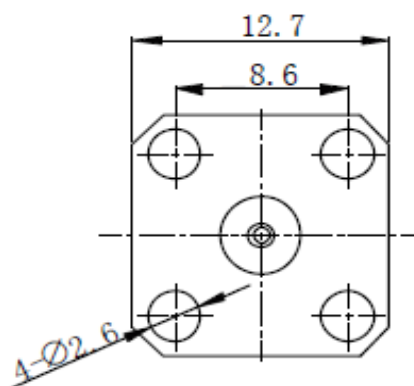
## Environmental Data

|                   |               |
|-------------------|---------------|
| Temperature Range | -.65 ~ +165°C |
|-------------------|---------------|

## Drawing ( dimensions all into mm )



## PCB Layout



**SMA Male Panel Mount Solder Pot Terminal 4 Holes Flange**

Part No.: **T55J1112-**

Note: We can provide other materials and plating specifications according to customers requirements

|       |        |      |        |        |        |           |           |      |            |
|-------|--------|------|--------|--------|--------|-----------|-----------|------|------------|
| DRW:  | Jason  | CHKD | Wilson | MATL:  | Wilson | TOLERANCE | Mason     | DATE | 14.12.2017 |
| APPD: | Schumi |      |        | FINISH | Jamy   |           | Sheet No. |      | 1 from 2   |

Customer:

[www.edcon-components.com](http://www.edcon-components.com)

email: [info@edcon-components.com](mailto:info@edcon-components.com)

# EDCON-COMPONENTS



## Ordering Informations

| Serie            | Impedance      | Contact Pin Plating    | Body Material   | Body Plating           | Special function  | Special function  | ROHS   | Packing   |  |  |
|------------------|----------------|------------------------|---|------------------------|-------------------|-------------------|--|---|--|--|
| <b>T55J1112-</b> | <b>50</b>      | <b>G0</b>              | <b>BR</b>   | <b>G0</b>              | <b>N</b>          | <b>N</b>          | <b>R</b>   | <b>BU</b>   |  |  |
|                  | <b>50= 50Ω</b> | <b>G0= Gold Plated</b> | <b>BR= Brass Material</b><br><b>SS= Stainless Steel</b> | <b>G0= Gold Plated</b> | <b>N= Special</b> | <b>N= Special</b> | <b>R= ROHS Conform</b><br><b>N= NON ROHS Conform</b> | <b>BU= Bulk Ware</b><br><b>IV= Individual Package</b> |  |  |

**SMA Male Panel Mount Solder Pot Terminal 4 Holes Flange**

Part No.: **T55J1112-**

|       |        |      |        |        |        |           |           |      |            |
|-------|--------|------|--------|--------|--------|-----------|-----------|------|------------|
| DRW:  | Jason  | CHKD | Wilson | MATL:  | Wilson | TOLERANCE | Mason     | DATE | 14.12.2017 |
| APPD: | Schumi |      |        | FINISH | Jamy   |           | Sheet No. |      | 2 from 2   |

Customer: