

# EDCON-COMPONENTS



## Electric Data

Characteristic Impedance	50 Ohm
Frequency Range	DC-18GHz
Working Voltage	335VRMS (max sea Level)
Dielectric Withstanding Voltage	1000VRMS (min sea Level)
VSWR	Straight : 1.3
Contact Resistance	Inner: 3milliohms (max.) Outer: 2milliohms (max.)
Insulation Resistance	5000 Megaohms (min)

## Mechanical Data

Durability Mating	500 Cycles (min)
-------------------	------------------

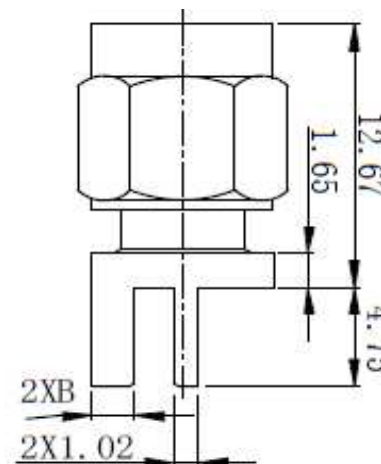
## Material Data

Connector Parts	Materials	Plating Finish
Body	Brass or SS	Gold or Request
Male Pin	Brass	Gold
Insulators	PTFE	N/A
Gasket	Silicon Rubber	N/A

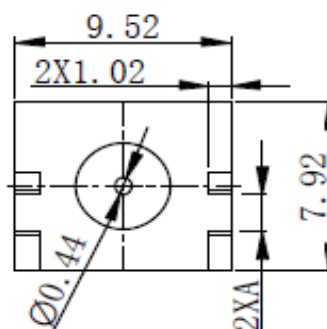
## Environmental Data

Temperature Range	-65 ~ +165°C
-------------------	--------------

## Drawing ( dimensions all into mm)



## PCB Layout



**SMA Male End Launch  
Receptacle-Round Contact**

Part No.: **T55J1090-**

Note: We can provide other materials and plating specifications according to customers requirements

DRW:	Jason	CHKD	Wilson	MATL:	Wilson	TOLERANCE	Mason	DATE	14.12.2017
APPD:	Schumi			FINISH	Jamy		Sheet No.		1 from 2

Customer:

[www.edcon-components.com](http://www.edcon-components.com)

email: [info@edcon-components.com](mailto:info@edcon-components.com)

# EDCON-COMPONENTS



## Ordering Informations

Serie	Impedance	Contact Pin Plating	Body Material	Body Plating	Special function	Special function	ROHS	Packing		
-------	-----------	---------------------	---------------	--------------	------------------	------------------	------	---------	--	--

<b>T55J1090-</b>	<b>50</b>	<b>G0</b>	<b>BR</b>	<b>G0</b>	<b>A</b>	<b>N</b>	<b>R</b>	<b>BU</b>		
------------------	-----------	-----------	-----------	-----------	----------	----------	----------	-----------	--	--

<b>50=</b> 50Ω	<b>G0=</b> Gold Plated	<b>BR=</b> Brass Material <b>SS=</b> Stainless Steel	<b>G0=</b> Gold Plated	<b>A=</b> A=1.73/ B=1.85 <b>B=</b> A=1.22/ B=2.36	<b>N=</b> Special	<b>R=</b> ROHS Conform <b>N=</b> NON ROHS Conform	<b>BU=</b> Bulk Ware <b>IV=</b> Individual Package		
----------------	------------------------	---	------------------------	--	-------------------	--	---	--	--

<b>SMA Male End Launch Receptacle-Round Contact</b>	
Part No.:	<b>T55J1090-</b>
Customer:	

DRW:	Jason	CHKD	Wilson	MATL:	Wilson	TOLERANCE	Mason	DATE	14.12.2017
APPD:	Schumi			FINISH	Jamy		Sheet No.		2 from 2