

# EDCON-COMPONENTS



## Electric Data

Characteristic Impedance	50 Ohm
Frequency Range	0~6 GHz
Working Voltage	170 VRMS (max sea Level)
Dielectric Withstanding Voltage	500 VRMS (min sea Level)
VSWR	Straight: 1.3 (Max)
Contact Resistance	Inner: 5 milliohms (max.) Outer: 2,5 milliohms (max.)
Insulation Resistance	1000 Megaohms (min)

## Mechanical Data

Engagement Force	3.4 lbs. Max
Disengagement Force	1.4 lbs~ 3.4 lbs
Center Contact Retention Force	2.3 lbs. Min
Durability Mating	500 Cycles Min

## Material Data

Connector Parts	Materials	Plating Finish
Body, Metal Fittings	Brass	Gold
Center Conductors	Brass	Gold
Insulators	PTFE	N/A

## Environmental Data

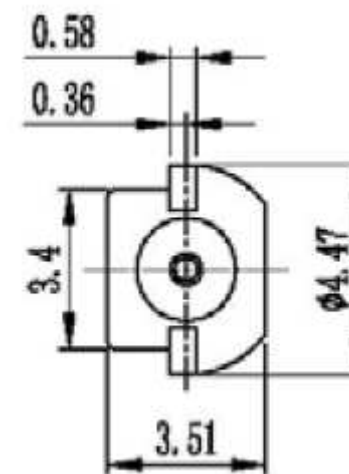
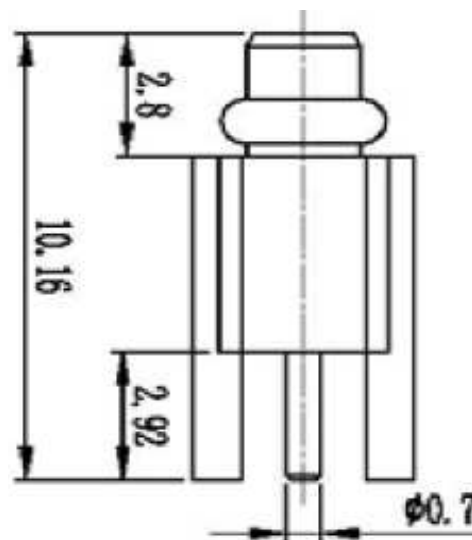
Temperature Range	-40 ~ +90°C
-------------------	-------------

Note: We can provide other materials and plating specifications according to customers requirements

DRW:	Jason	CHKD	Wilson	MATL:	Wilson	TOLERANCE	Mason	DATE	18.12.2017
APPD:	Schumi			FINISH	Jamy		Sheet No.		1 from 2

[www.edcon-components.com](http://www.edcon-components.com)

## Drawing ( dimensions all into mm)



**MMCX Straight Male For  
Edgecard Mount Solder Pot  
Terminal**

Part No.: **T55G1013-**

Customer:

email: [info@edcon-components.com](mailto:info@edcon-components.com)

# EDCON-COMPONENTS



## Ordering Informations

Serie	Impedance	Body Materials	Body Plating	Center Co.Materials	Center Cond.Plating	Special Function	Special Function	ROHS	Packing		
<b>T55G1013-</b>	<b>50</b>	<b>BR</b>	<b>GO</b>	<b>BR</b>	<b>GO</b>	<b>N</b>	<b>N</b>	<b>R</b>	<b>BU</b>		

<b>50= 50Ω</b>	<b>BR= Brass Material</b>	<b>GO= Gold Plated</b>	<b>BR=Brass Material</b>	<b>GO= Gold Plated</b>	<b>N= NON Function</b>	<b>N=NON Function</b>	<b>R= ROHS Conform</b>	<b>BU= Bulk Ware</b>
							<b>N= NON ROHS Conform</b>	<b>IV= Individual Package</b>

Cable Category	Notes
----------------	-------

<b>MMCX Straight Male For Edgecard Mount Solder Pot Terminal</b>
Part No.: <b>T55G1013-</b>
Customer:

DRW:	Jason	CHKD	Wilson	MATL:	Wilson	TOLERANCE	Mason	DATE	18.12.2017
APPD:	Schumi			FINISH	Jamy		Sheet No.		2 from 2