

EDCON-COMPONENTS



Electric Data

Characteristic Impedance	50 Ohm
Frequency Range	0-3 GHz
Working Voltage	250 VRMS (max sea Level)
Dielectric Withstanding Voltage	500 VRMS (min sea Level)
VSWR	R/A: 1.50 0-1 (GHz) 1.63 1-3 (GHz)
Contact Resistance	Inner: 5 milliohms (max.) Outer: 2,5 milliohms (max.)
Insulation Resistance	1000 Megaohms (min)

Mechanical Data

Durability Mating	500 Cycles (min)
-------------------	------------------

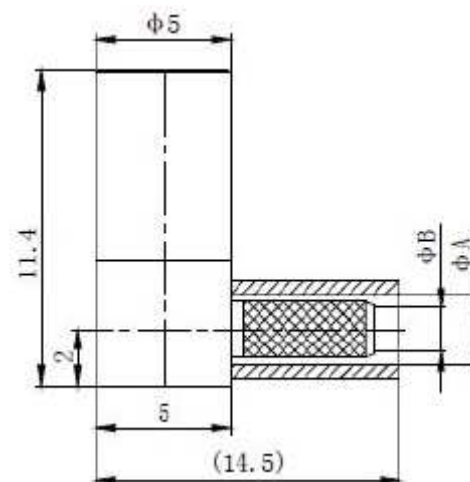
Material Data

Connector Parts	Materials	Plating Finish
Body	Brass	Gold
Female Pin	Beryllium Bronze Phosphor Bronze	Gold
Insulators	PTFE	N/A
Ferrules	Copper alloy	Nickel or Gold

Environmental Data

Temperature Range	-.55 ~ +155°C
-------------------	---------------

Drawing (dimensions all into mm)



SSMB Male Right Angle Crimp Type

Part No.: **T55E1014-**

Note: We can provide other materials and plating specifications according to customers requirements

DRW:	Jason	CHKD	Wilson	MATL:	Wilson	TOLERANCE	Mason	DATE	18.12.2017
APPD:	Schumi			FINISH	Jamy		Sheet No.		1 from 2

Customer:

www.edcon-components.com

email: info@edcon-components.com

EDCON-COMPONENTS



Ordering Informations

Serie	Impedance	Body Materials	Body Plating	Contact Pin Materials	Contact Pin Plating	Ferrules Plating	Cable Category	ROHS	Packing		
T55E1014-	50	BR	GO	BE	GO	NI	A	R	BU		

50= 50Ω	BR= Brass Material	GO= Gold Plated	BE= Beryllium Bronze	GO= Gold Plated	NI= Nickel Plated	A	R= ROHS Conform	BU= Bulk Ware
			PB= Phosphor Bronze		GO= Gold Plated	B	N= NON ROHS Conform	
						C		
						D		

Cable Category	Notes
A= 2/50S (SFF-50-1, SYV-50-1, RG-178B/U, 196/U)	A=2,5 / B=1,6
B= 2.6/50S (SFF-50-1.5-1, RG-174/U, 188A/U, 316/U, LMR-100A)	A=2,8 / B=1,6
C= 2.6/50D (RG-316DT, RD-316)	A=3,4 / B=1,6
D= 3/50S (SYV-50-2-1)	A=3,1 / B=1,6

SSMB Male Right Angle Crimp Type

Part No.: **T55E1014-**

DRW:	Jason	CHKD	Wilson	MATL:	Wilson	TOLERANCE	Mason	DATE	18.12.2017	Customer:
APPD:	Schumi			FINISH	Jamy		Sheet No.	2 from 2		