

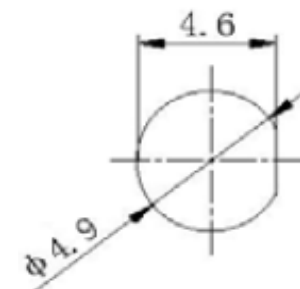
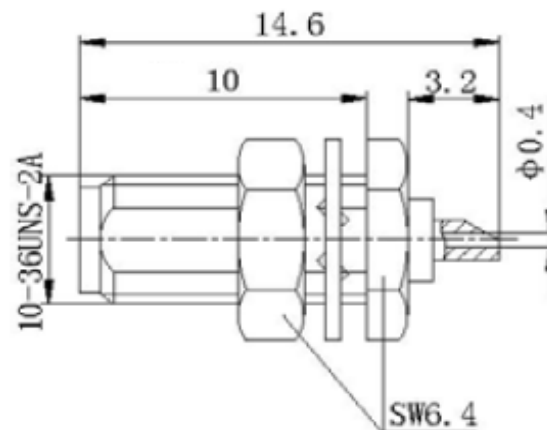
# EDCON-COMPONENTS



## Electric Data

Characteristic Impedance	50 Ohm
Frequency Range	0-35 GHz
Working Voltage	250 VRMS (max sea Level)
Dielectric Withstanding Voltage	750 VRMS (min sea Level)
VSWR	1.07+ 0.1F (GHz)
Contact Resistance	Inner: 4 milliohms (max.) Outer: 2,5 milliohms (max.)
Insulation Resistance	1000 Megaohms (min)

## Drawing ( dimensions all into mm)



## Mechanical Data

Durability Mating	500 Cycles (min)
-------------------	------------------

## Material Data

Connector Parts	Materials	Plating Finish
Body	Brass	Gold
Female Pin	Beryllium Bronze / Phosphor Bronze	Gold
Insulators	PTFE	N/A

## Environmental Data

Temperature Range	-.55 ~ +155°C
-------------------	---------------

**SSMA Female Bulkhead Receptacle Solder Pot Terminal**

Part No.: **T55D1011-**

Note: We can provide other materials and plating specifications according to customers requirements

DRW:	Jason	CHKD	Wilson	MATL:	Wilson	TOLERANCE	Mason	DATE	18.12.2017
APPD:	Schumi			FINISH	Jamy		Sheet No.		1 from 2

Customer:

[www.edcon-components.com](http://www.edcon-components.com)

email: [info@edcon-components.com](mailto:info@edcon-components.com)

# EDCON-COMPONENTS



## Ordering Informations

Serie	Impedance	Body Materials	Body Plating	Contact Pin Materials	Contact Pin Plating	Special Function	ROHS	Packing			
<b>T55D1011-</b>	<b>50</b>	<b>BR</b>	<b>GO</b>	<b>BE</b>	<b>GO</b>	<b>N</b>	<b>R</b>	<b>BU</b>			

<b>50= 50Ω</b>	<b>BR= Brass Material</b>	<b>GO= Gold Plated</b>	<b>BE= Beryllium Bronze</b>	<b>GO= Gold Plated</b>	<b>N= NON Special</b>	<b>R= ROHS Conform</b>	<b>BU= Bulk Ware</b>
			<b>PB= Phosphor Bronze</b>			<b>N= NON ROHS Conform</b>	<b>IV= Individual Package</b>

Cable Category	Notes

<b>SSMA Female Bulkhead Receptacle Solder Pot Terminal</b>	
Part No.:	<b>T55D1011-</b>
Customer:	

DRW:	Jason	CHKD	Wilson	MATL:	Wilson	TOLERANCE	Mason	DATE	18.12.2017
APPD:	Schumi			FINISH	Jamy		Sheet No.		2 from 2