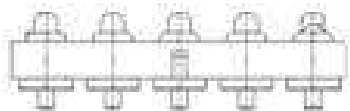


# EDCON-COMPONENTS



## Technical Discription

## Drawing

### 1 Material:

Material Body: C2700  
 Gold Plated: 16-20µm  
 Nickel: 60-120µm  
 Material Needle: C3604  
 Gold Plated: 4-8µm  
 Nickel: 60-120µm  
 Spring: SUS304  
 Body: PA46

### 2 Mechanical Properties

Pitch: 2,54mm  
 Working height: 3,0~3,3mm  
 Elastic: 85 ±15gr

Lifetime: more than 10000 times

### 3 Electrical Performance:

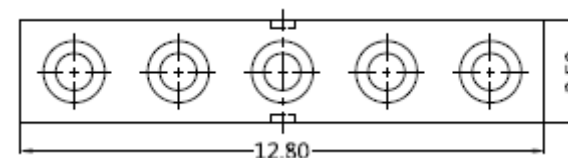
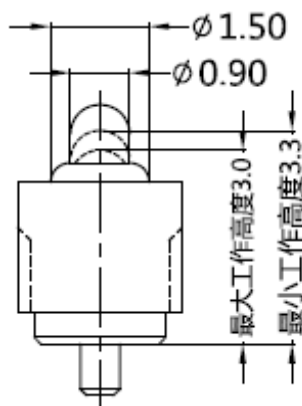
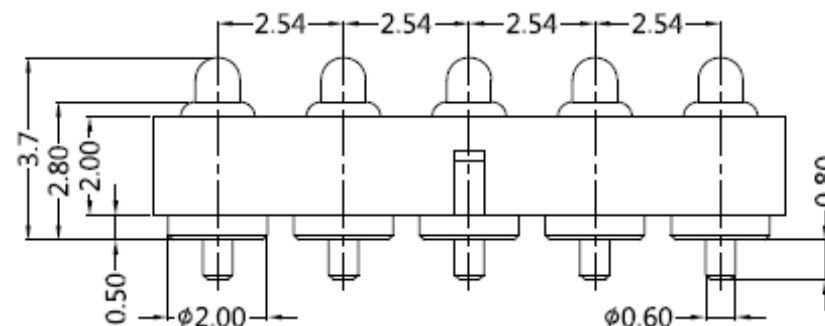
4 Isolation Resistance: 500M Ohm min.  
 Withstanding Voltage: 500VAC/DC  
 Max. Rated Voltage: 36VDC dynamic range of work with impedance less than

Contact Resistance: <30m Ohm

Rated current: 2,5A

### 5 Packing Specification: EIA 481

6 Max. Soldering Temperature: 260°C  
 Operating Temperature: -40°C to +85°C



## THT 5 POGO PIN with Plastic

Part No.: TA23C5006

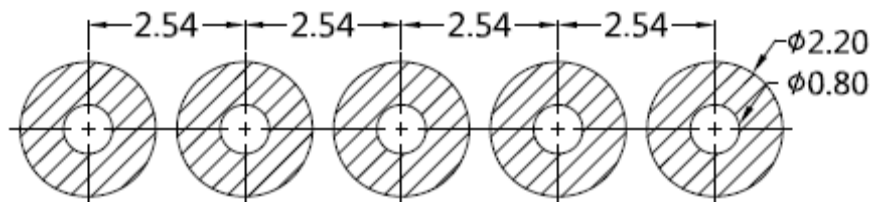
Customer:

DRW:	Jason	CHKD	Wilson	MATL:	Wilson	TOLERANCE	Mason	DATE	08.12.2017
APPD:	Schumi			FINISH	Jamy		Sheet No.		1 from 3

# EDCON-COMPONENTS



## PCB Layout ( mm)



## Ordering Informations

Serie	Number of Position	Material Body	Material Needle	Contact Plat. Body	Contact Plat. Needle	Spezial Function	ROHS	Packing		
<b>TA23C5006</b>	<b>05</b>	<b>A</b>	<b>A</b>	<b>G0</b>	<b>G0</b>	<b>N</b>	<b>R</b>	<b>BU</b>		

<b>05= Position</b>	<b>A= Material C3604</b>	<b>A= Material C3604</b>	<b>G0= Gold Flash &lt;16-20µinch</b>	<b>G0= Gold Flash 4-8µinch</b>	<b>N= No function</b>	<b>R= ROHS Conform</b>	<b>BU= Bulk-Ware Standard</b>
	<b>B= Material C2700</b>	<b>B= Material C2700</b>					
			<b>NO= Nickel 60-120µinch</b>	<b>NO= Nickel 60-120µinch</b>			<b>TU= Tube Packing</b>

**THT 5 POGO PIN  
with Plastic**  
Part No.: **TA23C5006**

DRW:	Jason	CHKD	Wilson	MATL:	Wilson	TOLERANCE	Mason	DATE	08.12.2017	Customer:
APPD:	Schumi			FINISH	Jamy		Sheet No.	2 from 3		



Soldering Profile Curve

Classification Reflow Profile (JEDEC J-STD-020C)



<b>THT 5 POGO PIN with Plastic</b>
Part No.: <b>TA23C5006</b>
Customer:

DRW:	Jason	CHKD	Wilson	MATL:	Wilson	TOLERANCE	Mason	DATE	08.12.2017
APPD:	Schumi			FINISH	Jamy		Sheet No.	3 from 3	