

EDCON-COMPONENTS



Technical Discription

1 Material:

Material Body: C2700
 Gold Plated: 16-20µm
 Nickel: 60-120µm
 Material Needle: C3604
 Gold Plated: 4-8µm
 Nickel: 60-120µm
 Spring: SUS304
 Body: PA46

2 Mechanical Properties

Pitch: 3,00mm
 Working height: 8,0~8,3mm
 Elastic: 100 ±20gr

Lifetime: more than 10000 times

3 Electrical Performance:

4 Isolation Resistance: 500M Ohm min.
 Withstanding Voltage: 500VAC/DC
 Max. Rated Voltage: 36VDC dynamic range of work with impedance less than

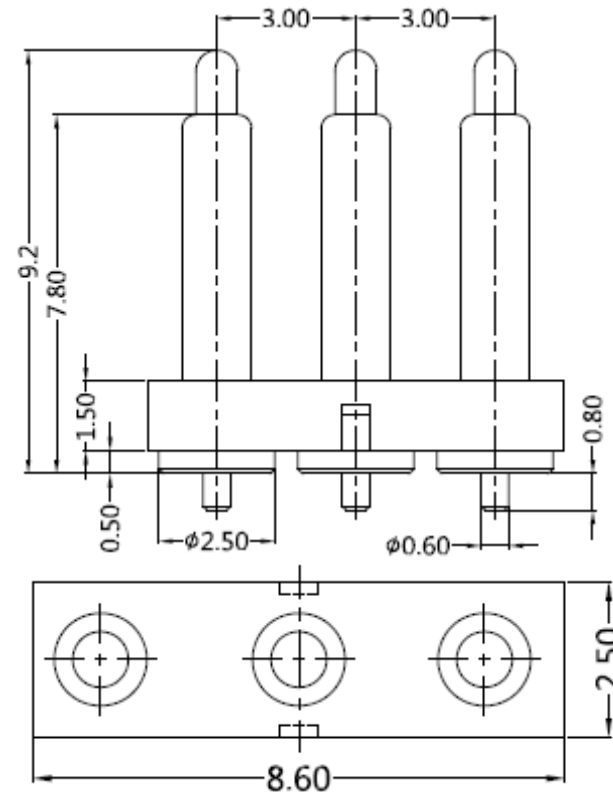
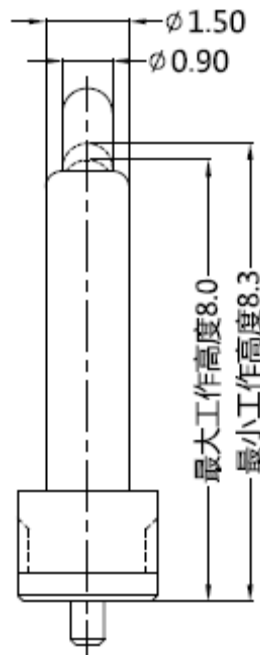
Contact Resistance: <30m Ohm

Rated current: 2,5A

5 Packing Specification: EIA 481

6 Max. Soldering Temperature: 260°C
 Operating Temperature: -40°C to +85°C

Drawing



| Tolerance | | | |
|-----------|-----------|--------|------------|
| 0. | 0.0 | 0.00 | 0.000 |
| ± - | ± 0,30 | ± 0,15 | ± - |
| TOLERANCE | Mason | DATE | 08.12.2017 |
| | Sheet No. | | 1 from 3 |

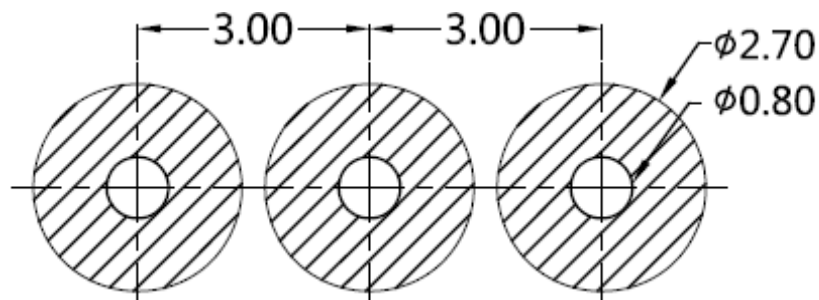
| | |
|--|------------------|
| THT 3 POGO PIN with Plastic | |
| Part No.: | TA23C3099 |
| Customer: | |

| | | | | | |
|-------|--------|------|--------|--------|--------|
| DRW: | Jason | CHKD | Wilson | MATL: | Wilson |
| APPD: | Schumi | | | FINISH | Jamy |

EDCON-COMPONENTS



PCB Layout (mm)



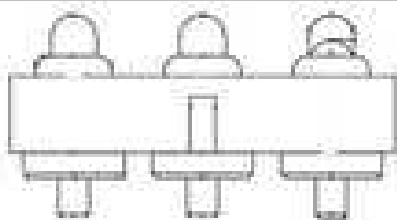
Ordering Informations

| Serie | Number of Position | Material Body | Material Needle | Contact Plat. Body | Contact Plat. Needle | Spezial Function | ROHS | Packing | | |
|-----------|--------------------|---------------|-----------------|--------------------|----------------------|------------------|------|---------|--|--|
| TA23C3099 | 03 | A | A | G0 | G0 | N | R | BU | | |

| | | | | | | | |
|--------------|-------------------|-------------------|----------------------------|-------------------------|----------------|-----------------|------------------------|
| 03= Position | A= Material C3604 | A= Material C3604 | G0= Gold Flash <16-20µinch | G0= Gold Flash 4-8µinch | N= No function | R= ROHS Conform | BU= Bulk-Ware Standard |
| | B= Material C2700 | B= Material C2700 | | | | | |
| | | | NO= Nickel 60-120µinch | NO= Nickel 60-120µinch | | | TU= Tube Packing |

**THT 3 POGO PIN
with Plastic**
Part No.: TA23C3099

| | | | | | | | | | | |
|-------|--------|------|--------|--------|--------|-----------|-----------|----------|------------|-----------|
| DRW: | Jason | CHKD | Wilson | MATL: | Wilson | TOLERANCE | Mason | DATE | 08.12.2017 | Customer: |
| APPD: | Schumi | | | FINISH | Jamy | | Sheet No. | 2 from 3 | | |



Soldering Profile Curve

Classification Reflow Profile (JEDEC J-STD-020C)



| |
|--|
| THT 3 POGO PIN with Plastic |
| Part No.: TA23C3099 |
| Customer: |

| | | | | | | | | | |
|-------|--------|------|--------|--------|--------|-----------|-----------|----------|------------|
| DRW: | Jason | CHKD | Wilson | MATL: | Wilson | TOLERANCE | Mason | DATE | 08.12.2017 |
| APPD: | Schumi | | | FINISH | Jamy | | Sheet No. | 3 from 3 | |