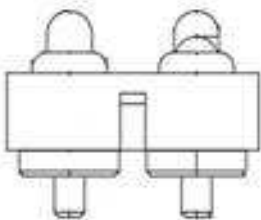


# EDCON-COMPONENTS



## Technical Discription

## Drawing

### 1 Material:

Material Body:	C2700
Gold Plated:	16-20µm
Nickel:	60-120µm
Material Needle:	C3604
Gold Plated:	4-8µm
Nickel:	60-120µm
Spring:	SUS304
Body:	PA46

### 2 Mechanical Properties

Pitch:	2,00mm
Working height:	2,0~2,3mm
Elastic:	65 ±15gr

Lifetime: more than 10000 times

### 3 Electrical Performance:

#### 4 Isolation Resistance:

500M Ohm min.
Withstanding Voltage: 500VAC/DC
Max. Rated Voltage: 36VDC dynamic range of work with impedance less than

Contact Resistance: <30m Ohm

Rated current: 2,5A

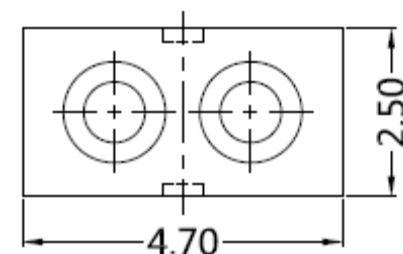
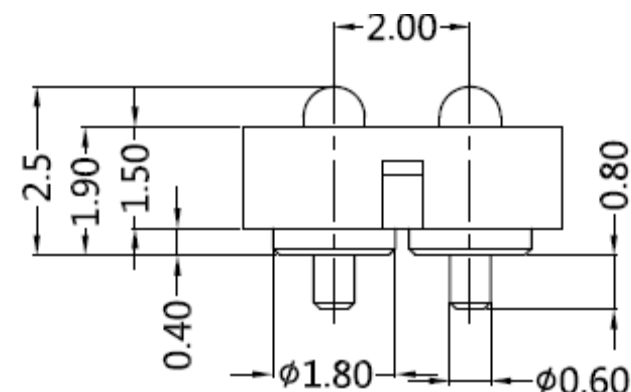
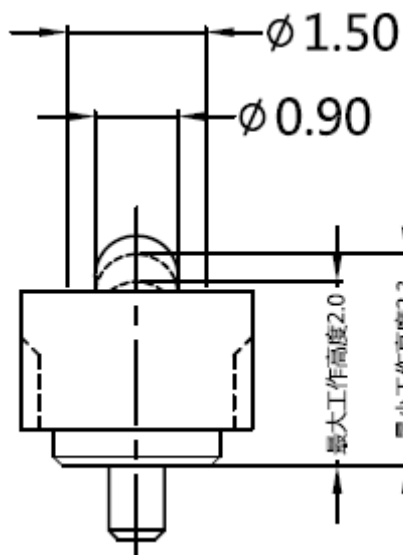
### 5 Packing Specification:

EIA 481

### 6 Max. Soldering Temperature:

260°C

Operating Temperature: -40°C to +85°C



## THT 2 POGO PIN with Plastic

Part No.: TA23C2001

Customer:

DRW:	Jason	CHKD	Wilson	MATL:	Wilson	TOLERANCE	Mason	DATE	06.12.2017
APPD:	Schumi			FINISH	Jamy		Sheet No.		1 from 3

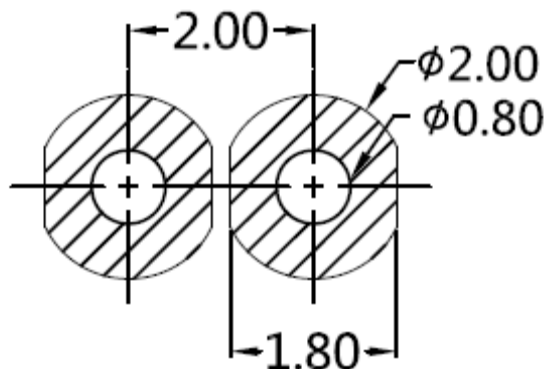
[www.edcon-components.com](http://www.edcon-components.com)

email: info@edcon-components.com

# EDCON-COMPONENTS



## PCB Layout ( mm)



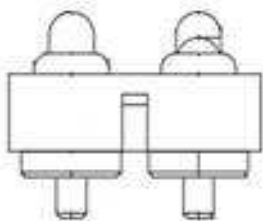
## Ordering Informations

Serie	Number of Position	Material Body	Material Needle	Contact Plat. Body	Contact Plat. Needle	Spezial Function	ROHS	Packing		
TA23C2001	02	A	A	G0	G0	N	R	BU		

02= Position	A= Material C3604	A= Material C3604	G0= Gold Flash <16-20µinch	G0= Gold Flash 4-8µinch	N= No function	R= ROHS Conform	BU= Bulk-Ware Standard
	B= Material C2700	B= Material C2700					
			NO= Nickel 60-120µinch	NO= Nickel 60-120µinch			TU= Tube Packing

**THT 2 POGO PIN  
with Plastic**  
Part No.: TA23C2001

DRW:	Jason	CHKD	Wilson	MATL:	Wilson	TOLERANCE	Mason	DATE	06.12.2017	Customer:
APPD:	Schumi			FINISH	Jamy		Sheet No.	2 from 3		



Soldering Profile Curve

Classification Reflow Profile (JEDEC J-STD-020C)



<b>THT 2 POGO PIN with Plastic</b>
Part No.: <b>TA23C2001</b>
Customer:

DRW:	Jason	CHKD	Wilson	MATL:	Wilson	TOLERANCE	Mason	DATE	06.12.2017
APPD:	Schumi			FINISH	Jamy		Sheet No.	3 from 3	