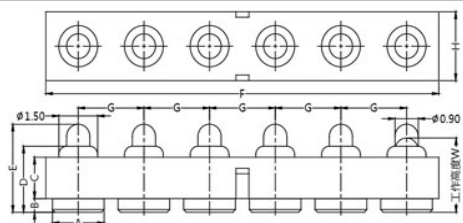


# EDCON-COMPONENTS



## Technical Discription

## Drawing

### 1 Material:

Material Body:	C2700
Gold Plated:	16-20µm
Nickel:	60-120µm
Material Needle:	C3604
Gold Plated:	4-8µm
Nickel:	60-120µm
Spring:	SUS304
Body:	PA46

### 2 Mechanical Properties

Pitch:	2,54mm
Working height:	3,6~3,9mm
Elastic:	85±15gr

Lifetime: more than 10000 times

### 3 Electrical Performance:

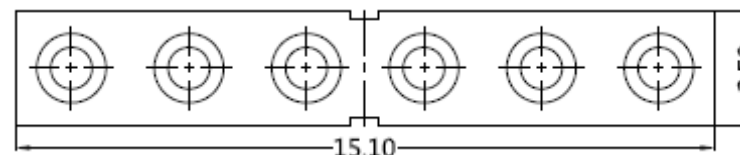
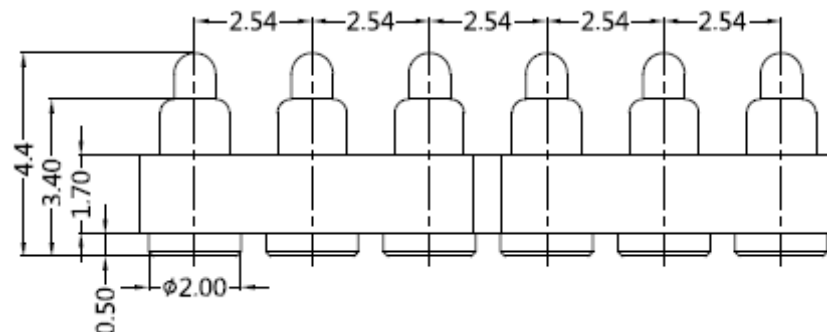
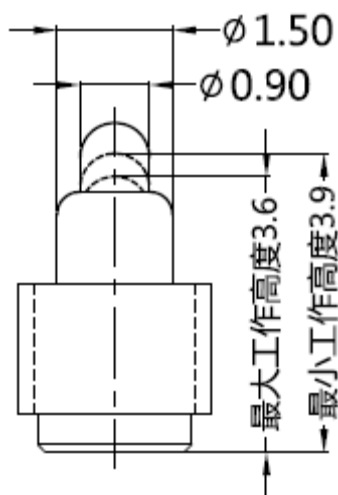
4 Isolation Resistance:	500M Ohm min.
Withstanding Voltage:	500VAC/DC
Max. Rated Voltage:	36VDC dynamic range of work with impedance less than

Contact Resistance: <30m Ohm

Rated current: 2,5A

### 5 Packing Specification:

6 Max. Soldering Temperature:	260°C
Operating Temperature:	-.40°C to +85°C



## 6 POGO PIN with Plastic

Part No.: **TA23B7007**

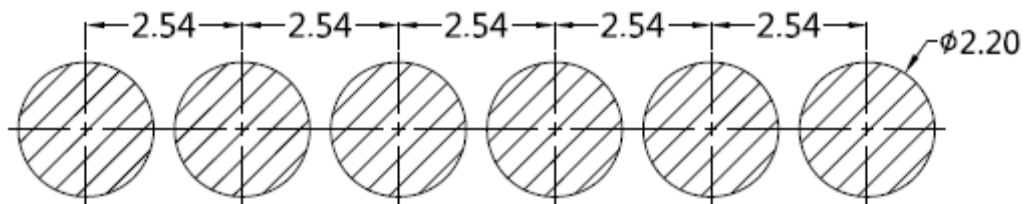
Customer:

DRW:	Jason	CHKD	Wilson	MATL:	Wilson	TOLERANCE	Mason	DATE	06.12.2017
APPD:	Schumi			FINISH	Jamy	Sheet No.			1 from 3

# EDCON-COMPONENTS



## PCB Layout ( mm)



## Ordering Informations

Serie	Number of Position	Material Body	Material Needle	Contact Plat. Body	Contact Plat. Needle	Spezial Function	ROHS	Packing		
<b>TA23B7007</b>	<b>06</b>	<b>A</b>	<b>A</b>	<b>G0</b>	<b>G0</b>	<b>N</b>	<b>R</b>	<b>BU</b>		

<b>06= Position</b>	<b>A= Material C3604</b>	<b>A= Material C3604</b>	<b>G0= Gold Flash &lt;16-20µinch</b>	<b>G0= Gold Flash 4-8µinch</b>	<b>N= No function</b>	<b>R= ROHS Conform</b>	<b>BU= Bulk-Ware Standard</b>
	<b>B= Material C2700</b>	<b>B= Material C2700</b>					
			<b>N0= Nickel 60-120µinch</b>	<b>N0= Nickel 60-120µinch</b>			<b>TR= Tape Reel</b>

**6 POGO PIN with Plastic**  
Part No.: **TA23B7007**

DRW:	Jason	CHKD	Wilson	MATL:	Wilson	TOLERANCE	Mason	DATE	06.12.2017	Customer:
APPD:	Schumi			FINISH	Jamy		Sheet No.	2 from 3		



Soldering Profile Curve

Classification Reflow Profile (JEDEC J-STD-020C)



**6 POGO PIN with Plastic**

Part No.: **TA23B7007**

DRW:	Jason	CHKD	Wilson	MATL:	Wilson	TOLERANCE	Mason	DATE	06.12.2017	Customer:
APPD:	Schumi			FINISH	Jamy		Sheet No.	3 from 3		