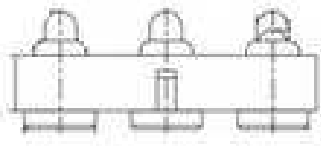


EDCON-COMPONENTS



Technical Discription

Drawing

1 Material:

| | |
|------------------|----------|
| Material Body: | C2700 |
| Gold Plated: | 16-20µm |
| Nickel: | 60-120µm |
| Material Needle: | C3604 |
| Gold Plated: | 4-8µm |
| Nickel: | 60-120µm |
| Spring: | SUS304 |
| Body: | PA46 |

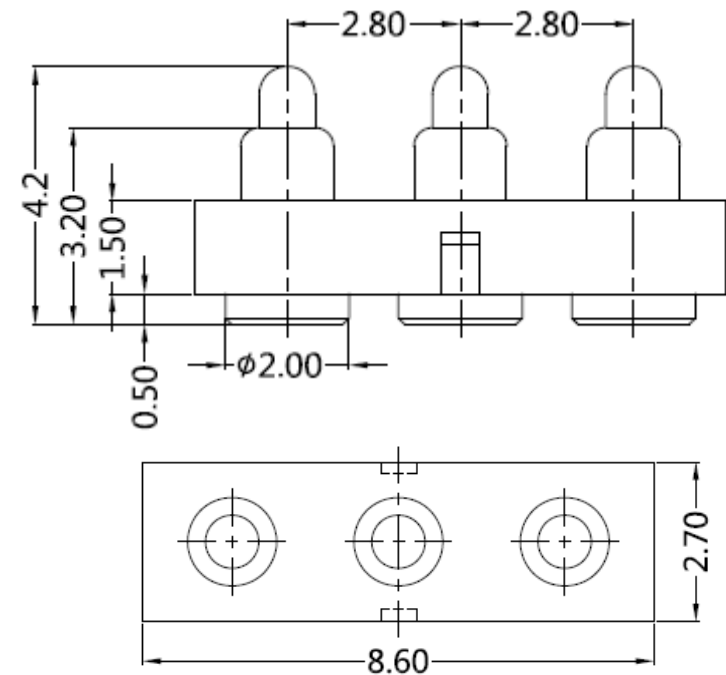
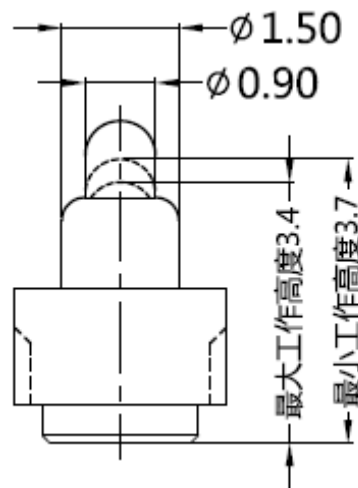
2 Mechanical Properties

| | |
|-----------------|-----------|
| Pitch: | 2,8mm |
| Working height: | 3,4~3,7mm |
| Elastic: | 85± 15g |

Lifetime: more than 10000 times

3 Electrical Performance:

| | |
|-------------------------------|--|
| 4 Isolation Resistance: | 500M Ohm min. |
| Withstanding Voltage: | 500VAC/DC |
| Max. Rated Voltage: | 36VDC dynamic range of work with impedance less than |
| Contact Resistance: | <30m Ohm |
| Rated current: | 2,5A |
| 5 Packing Specification: | EIA 481 |
| 6 Max. Soldering Temperature: | 260°C |
| Operating Temperature: | -.40°C to +85°C |



3 POGO PIN with Plastic

Part No.: TA23B4035

Customer:

| | | | | | | | | | |
|-------|--------|------|--------|--------|--------|-----------|-------|-----------|------------|
| DRW: | Jason | CHKD | Wilson | MATL: | Wilson | TOLERANCE | Mason | DATE | 05.12.2017 |
| APPD: | Schumi | | | FINISH | Jamy | | | Sheet No. | 1 from 3 |

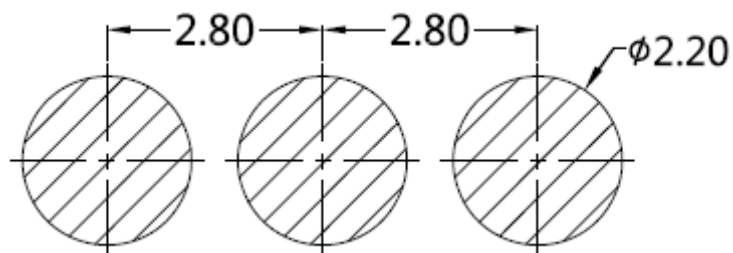
www.edcon-components.com

email: info@edcon-components.com

EDCON-COMPONENTS



PCB Layout (mm)



Ordering Informations

| Serie | Number of Position | Material Body | Material Needle | Contact Plat. Body | Contact Plat. Needle | Spezial Function | ROHS | Packing | | |
|-----------|--------------------|---------------|-----------------|--------------------|----------------------|------------------|------|---------|--|--|
| TA23B4035 | 03 | A | A | G0 | G0 | N | R | BU | | |

| | | | | | | | |
|--------------|-------------------|-------------------|----------------------------|-------------------------|----------------|-----------------|------------------------|
| 03= Position | A= Material C3604 | A= Material C3604 | G0= Gold Flash <16-20µinch | G0= Gold Flash 4-8µinch | N= No function | R= ROHS Conform | BU= Bulk-Ware Standard |
| | B= Material C2700 | B= Material C2700 | | | | | |
| | | | NO= Nickel 60-120µinch | NO= Nickel 60-120µinch | | | TR= Tape Reel |

3 POGO PIN with Plastic

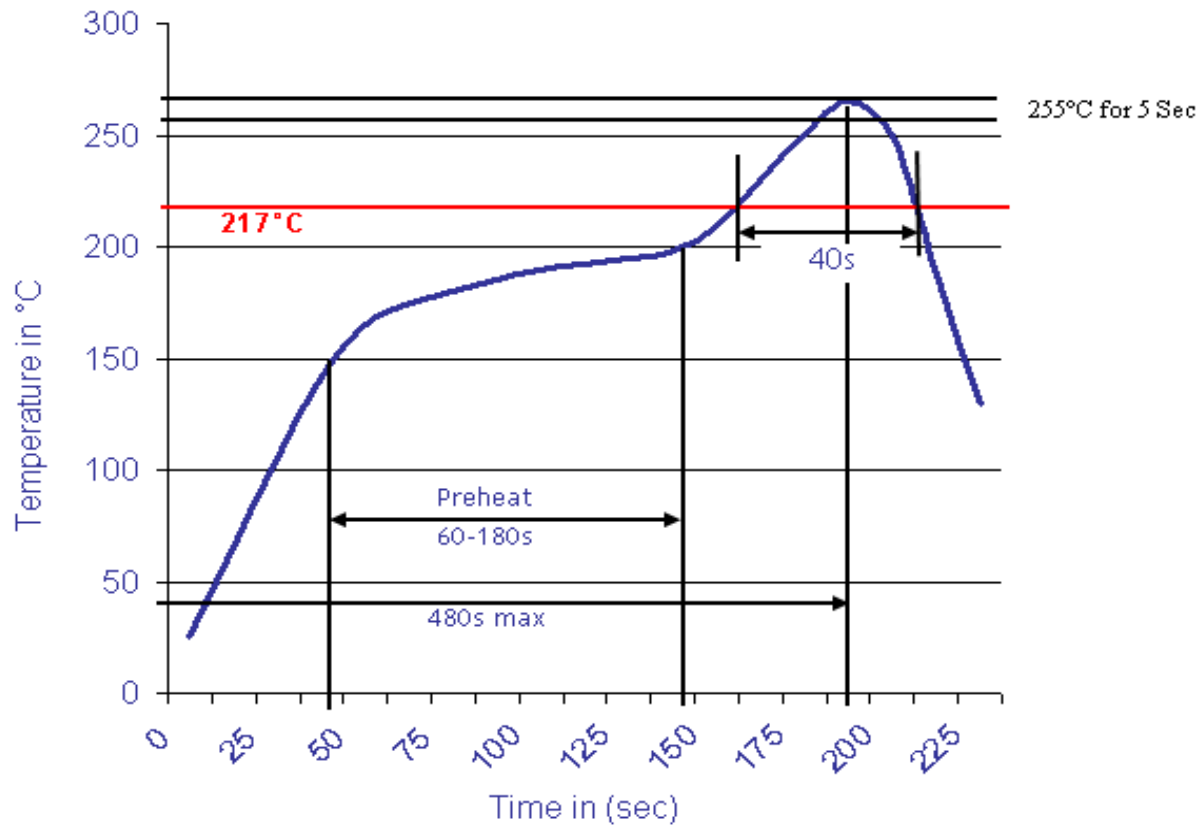
Part No.: **TA23B4035**

| | | | | | | | | | | |
|-------|--------|------|--------|--------|--------|-----------|-----------|----------|------------|-----------|
| DRW: | Jason | CHKD | Wilson | MATL: | Wilson | TOLERANCE | Mason | DATE | 05.12.2017 | Customer: |
| APPD: | Schumi | | | FINISH | Jamy | | Sheet No. | 2 from 3 | | |



Soldering Profile Curve

Classification Reflow Profile (JEDEC J-STD-020C)



| |
|--------------------------------|
| 3 POGO PIN with Plastic |
| Part No.: TA23B4035 |
| Customer: |

| | | | | | | | | | |
|-------|--------|------|--------|--------|--------|-----------|-----------|----------|------------|
| DRW: | Jason | CHKD | Wilson | MATL: | Wilson | TOLERANCE | Mason | DATE | 05.12.2017 |
| APPD: | Schumi | | | FINISH | Jamy | | Sheet No. | 3 from 3 | |