

# EDCON-COMPONENTS



## Technical Discription

### 1 Material:

|                  |          |
|------------------|----------|
| Material Body:   | C2700    |
| Gold Plated:     | 16-20µm  |
| Nickel:          | 60-120µm |
| Material Needle: | C3604    |
| Gold Plated:     | 4-8µm    |
| Nickel:          | 60-120µm |
| Spring:          | SUS304   |
| Body:            | PA46     |

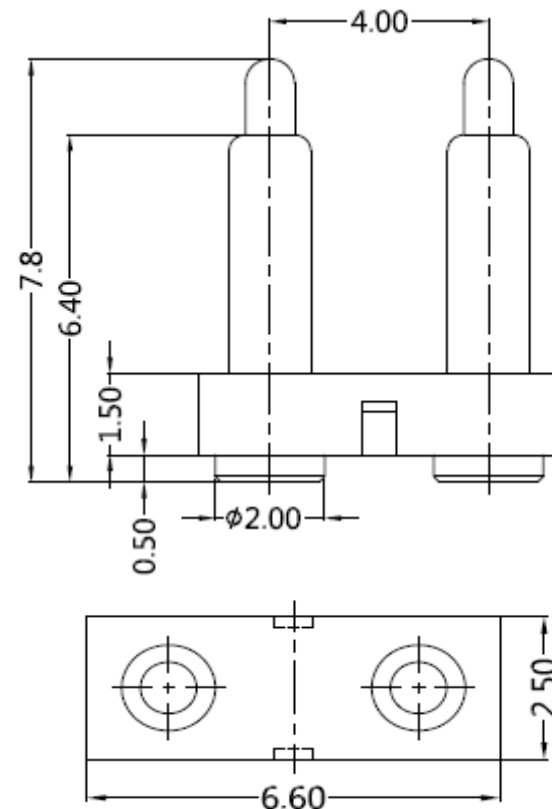
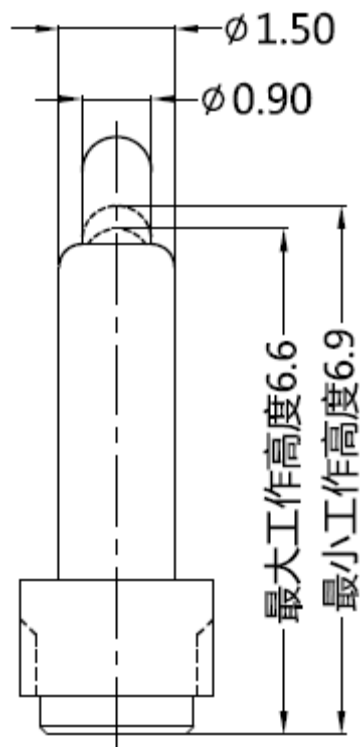
### 2 Mechanical Properties

|                 |           |
|-----------------|-----------|
| Pitch:          | 4mm       |
| Working height: | 6,6~6,9mm |
| Elastic:        | 100 ± 20g |

Lifetime: more than 10000 times

### 3 Electrical Performance:

|                               |  |
|-------------------------------|--|
| 4 Isolation Resistance:       | 500M Ohm min.  |
| Withstanding Voltage:         | 500VAC/DC  |
| Max. Rated Voltage:           | 36VDC dynamic range of work with impedance less than |
| Contact Resistance:           | <30m Ohm   |
| Rated current:                | 2,5A   |
| 5 Packing Specification:      | EIA 481  |
| 6 Max. Soldering Temperature: | 260°C  |
| Operating Temperature:        | -.40°C to +85°C                                      |



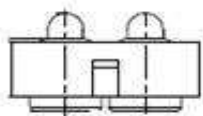
**2 POGO PIN with Plastic**

Part No.: **TA23B3136**

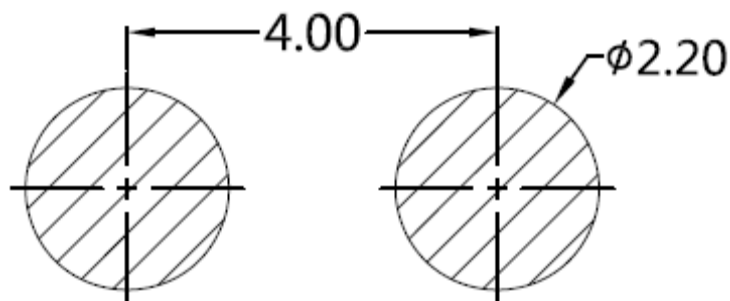
Customer:

|       |        |      |        |        |        |           |       |      |            |
|-------|--------|------|--------|--------|--------|-----------|-------|------|------------|
| DRW:  | Jason  | CHKD | Wilson | MATL:  | Wilson | TOLERANCE | Mason | DATE | 22.11.2017 |
| APPD: | Schumi |      |        | FINISH | Jamy   | Sheet No. |       |      | 1 from 3   |

# EDCON-COMPONENTS



## PCB Layout ( mm)



## Ordering Informations

| Serie     | Number of Position | Material Body | Material Needle | Contact Plat. Body | Contact Plat. Needle | Spezial Function | ROHS | Packing |  |  |
|-----------|--------------------|---------------|-----------------|--------------------|----------------------|------------------|------|---------|--|--|
| TA23B3136 | 02                 | A             | A               | G0                 | G0                   | N                | R    | BU      |  |  |

|                 |                   |                   |                            |                         |                |                 |                        |
|-----------------|-------------------|-------------------|----------------------------|-------------------------|----------------|-----------------|------------------------|
| 02= Single Pole | A= Material C3604 | A= Material C3604 | G0= Gold Flash <16-20μinch | G0= Gold Flash 4-8μinch | N= No function | R= ROHS Conform | BU= Bulk-Ware Standard |
|                 | B= Material C2700 | B= Material C2700 |                            |                         |                |                 |                        |
|                 |                   |                   | NO= Nickel 60-120μinch     | NO= Nickel 60-120μinch  |                |                 | TR= Tape Reel          |

**2 POGO PIN with Plastic**

Part No.: **TA23B3136**

|       |        |      |        |        |        |           |           |          |            |           |
|-------|--------|------|--------|--------|--------|-----------|-----------|----------|------------|-----------|
| DRW:  | Jason  | CHKD | Wilson | MATL:  | Wilson | TOLERANCE | Mason     | DATE     | 22.11.2017 | Customer: |
| APPD: | Schumi |      |        | FINISH | Jamy   |           | Sheet No. | 2 from 3 |            |           |



Soldering Profile Curve

Classification Reflow Profile (JEDEC J-STD-020C)



|                                |                  |
|--------------------------------|------------------|
| <b>2 POGO PIN with Plastic</b> |                  |
| Part No.:                      | <b>TA23B3136</b> |
| Customer:                      |                  |

|       |        |      |        |        |        |           |           |          |            |
|-------|--------|------|--------|--------|--------|-----------|-----------|----------|------------|
| DRW:  | Jason  | CHKD | Wilson | MATL:  | Wilson | TOLERANCE | Mason     | DATE     | 22.11.2017 |
| APPD: | Schumi |      |        | FINISH | Jamy   |           | Sheet No. | 3 from 3 |            |