



## Technical Discription

### 1 Material:

|                  |          |
|------------------|----------|
| Material Body:   | C2700    |
| Gold Plated:     | 16-20µm  |
| Nickel:          | 60-120µm |
| Material Needle: | C3604    |
| Gold Plated:     | 4-8µm    |
| Nickel:          | 60-120µm |
| Spring:          | SUS304   |
| Body:            | PA46     |

### 2 Mechanical Properties

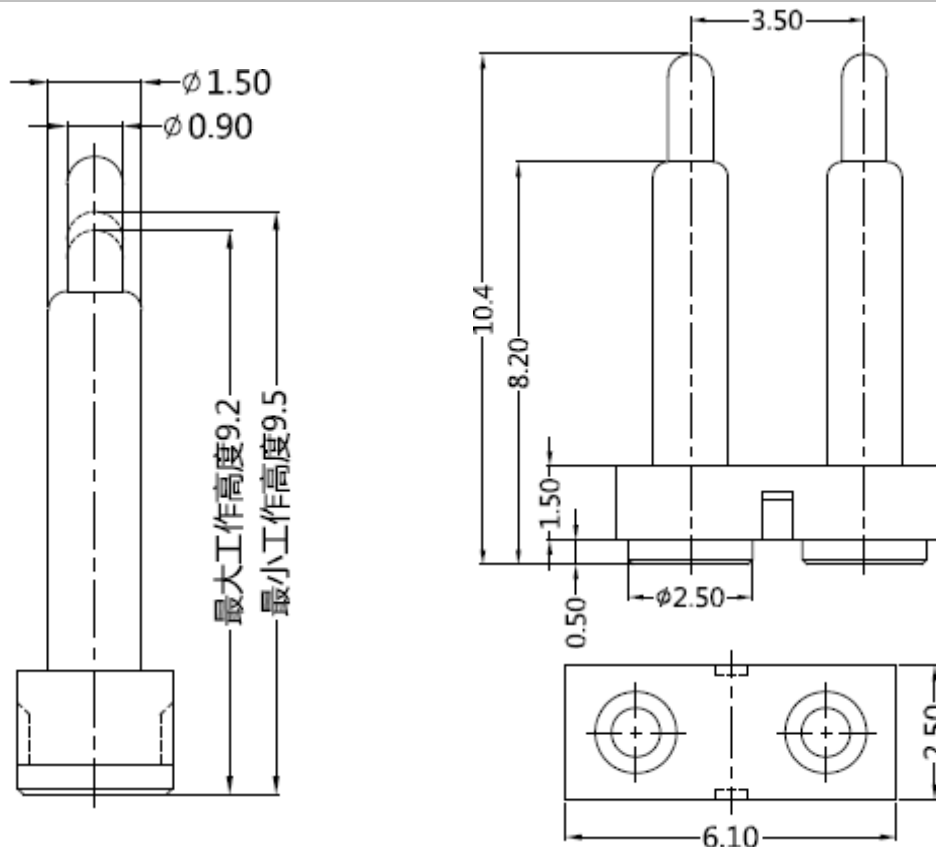
|                 |           |
|-----------------|-----------|
| Pitch:          | 3,5mm     |
| Working height: | 9,2~9,5mm |
| Elastic:        | 100 ± 20g |

Lifetime: more than 10000 times

### 3 Electrical Performance:

|                               |  |
|-------------------------------|--|
| 4 Isolation Resistance:       | 500M Ohm min.  |
| Withstanding Voltage:         | 500VAC/DC  |
| Max. Rated Voltage:           | 36VDC dynamic range of work with impedance less than |
| Contact Resistance:           | <30m Ohm   |
| Rated current:                | 2,5A   |
| 5 Packing Specification:      | EIA 481  |
| 6 Max. Soldering Temperature: | 260°C  |
| Operating Temperature:        | -.40°C to +85°C                                      |

## Drawing



## 2 POGO PIN with Plastic

Part No.: **TA23B3108**

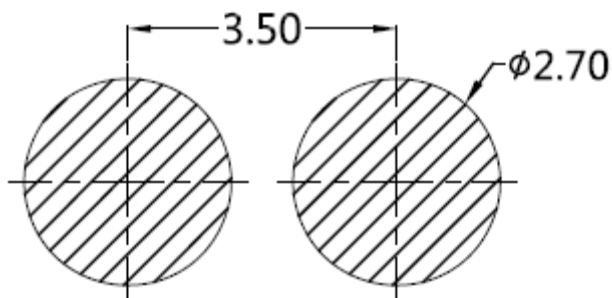
Customer:

|       |        |      |        |        |        |           |       |      |            |
|-------|--------|------|--------|--------|--------|-----------|-------|------|------------|
| DRW:  | Jason  | CHKD | Wilson | MATL:  | Wilson | TOLERANCE | Mason | DATE | 22.11.2017 |
| APPD: | Schumi |      |        | FINISH | Jamy   | Sheet No. |       |      | 1 from 3   |

# EDCON-COMPONENTS



## PCB Layout ( mm)



## Ordering Informations

| Serie            | Number of Position | Material Body | Material Needle | Contact Plat. Body | Contact Plat. Needle | Spezial Function | ROHS     | Packing   |  |  |
|------------------|--------------------|---------------|-----------------|--------------------|----------------------|------------------|----------|-----------|--|--|
| <b>TA23B3108</b> | <b>02</b>          | <b>A</b>      | <b>A</b>        | <b>G0</b>          | <b>G0</b>            | <b>N</b>         | <b>R</b> | <b>BU</b> |  |  |

|                        |                          |                          |                                   |                                |                       |                        |                               |
|------------------------|--------------------------|--------------------------|-----------------------------------|--------------------------------|-----------------------|------------------------|-------------------------------|
| <b>02=</b> Single Pole | <b>A=</b> Material C3604 | <b>A=</b> Material C3604 | <b>G0=</b> Gold Flash <16-20µinch | <b>G0=</b> Gold Flash 4-8µinch | <b>N=</b> No function | <b>R=</b> ROHS Conform | <b>BU=</b> Bulk-Ware Standard |
|                        | <b>B=</b> Material C2700 | <b>B=</b> Material C2700 |                                   |                                |                       |                        |                               |
|                        |                          |                          | <b>N0=</b> Nickel 60-120µinch     | <b>N0=</b> Nickel 60-120µinch  |                       |                        | <b>TR=</b> Tape Reel          |

**2 POGO PIN with Plastic**  
Part No.: **TA23B3108**

|       |        |      |        |        |        |           |           |          |            |           |
|-------|--------|------|--------|--------|--------|-----------|-----------|----------|------------|-----------|
| DRW:  | Jason  | CHKD | Wilson | MATL:  | Wilson | TOLERANCE | Mason     | DATE     | 22.11.2017 | Customer: |
| APPD: | Schumi |      |        | FINISH | Jamy   |           | Sheet No. | 2 from 3 |            |           |



Soldering Profile Curve

Classification Reflow Profile (JEDEC J-STD-020C)



|                                |
|--------------------------------|
| <b>2 POGO PIN with Plastic</b> |
| Part No.: <b>TA23B3108</b>     |
| Customer:                      |

|       |        |      |        |        |        |           |           |          |            |
|-------|--------|------|--------|--------|--------|-----------|-----------|----------|------------|
| DRW:  | Jason  | CHKD | Wilson | MATL:  | Wilson | TOLERANCE | Mason     | DATE     | 22.11.2017 |
| APPD: | Schumi |      |        | FINISH | Jamy   |           | Sheet No. | 3 from 3 |            |