

# EDCON-COMPONENTS



## Technical Discription

### 1 Material:

Material Body:	C2700
Gold Plated:	16-20µm
Nickel:	60-120µm
Material Needle:	C3604
Gold Plated:	4-8µm
Nickel:	60-120µm
Spring:	SUS304
Body:	PA46

### 2 Mechanical Properties

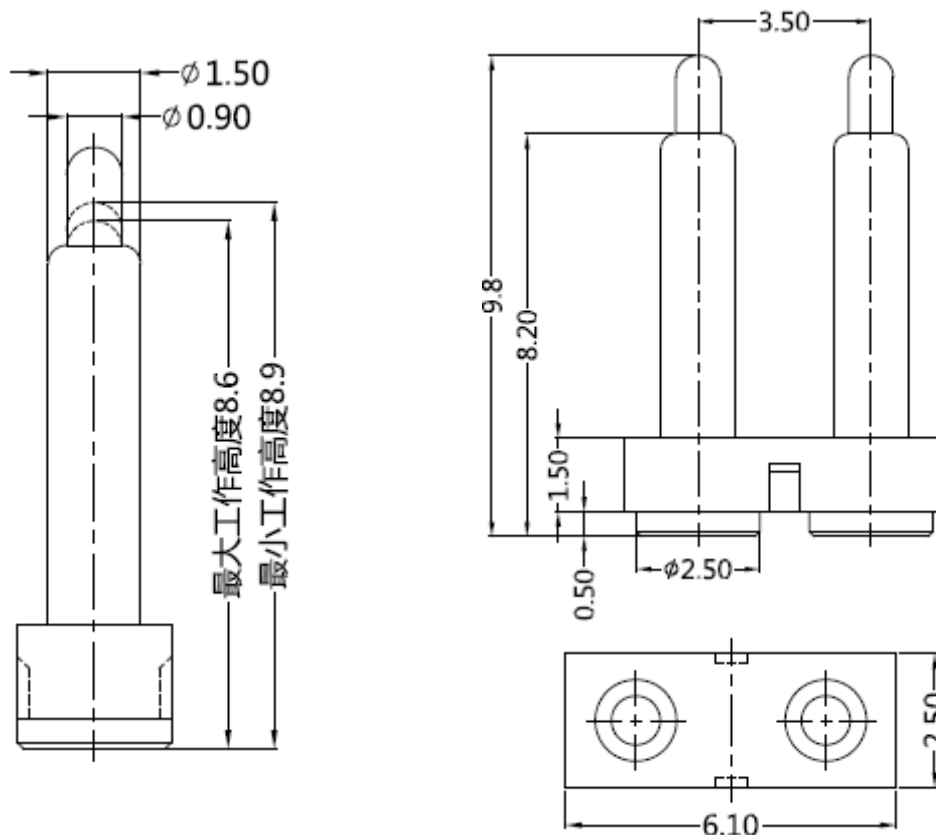
Pitch:	3,5mm
Working height:	8,6~8,9mm
Elastic:	100 ± 20g

Lifetime: more than 10000 times

### 3 Electrical Performance:

4 Isolation Resistance:	500M Ohm min.
Withstanding Voltage:	500VAC/DC
Max. Rated Voltage:	36VDC dynamic range of work with impedance less than
Contact Resistance:	<30m Ohm
Rated current:	2,5A
5 Packing Specification:	EIA 481
6 Max. Soldering Temperature:	260°C
Operating Temperature:	-.40°C to +85°C

## Drawing



## 2 POGO PIN with Plastic

Part No.: **TA23B3105**

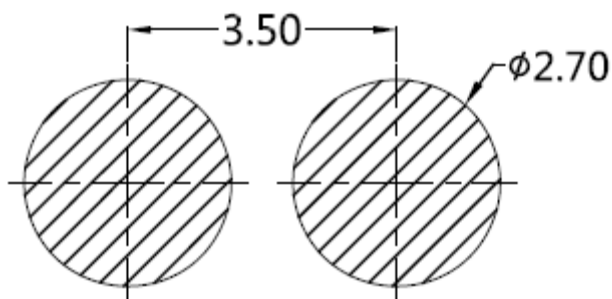
Customer:

DRW:	Jason	CHKD	Wilson	MATL:	Wilson	TOLERANCE	Mason	DATE	22.11.2017
APPD:	Schumi			FINISH	Jamy		Sheet No.		1 from 3

# EDCON-COMPONENTS



## PCB Layout ( mm)



## Ordering Informations

Serie	Number of Position	Material Body	Material Needle	Contact Plat. Body	Contact Plat. Needle	Spezial Function	ROHS	Packing		
<b>TA23B3105</b>	<b>02</b>	<b>A</b>	<b>A</b>	<b>G0</b>	<b>G0</b>	<b>N</b>	<b>R</b>	<b>BU</b>		

<b>02=</b> Single Pole	<b>A=</b> Material C3604	<b>A=</b> Material C3604	<b>G0=</b> Gold Flash <16-20µinch	<b>G0=</b> Gold Flash 4-8µinch	<b>N=</b> No function	<b>R=</b> ROHS Conform	<b>BU=</b> Bulk-Ware Standard
	<b>B=</b> Material C2700	<b>B=</b> Material C2700					
			<b>N0=</b> Nickel 60-120µinch	<b>N0=</b> Nickel 60-120µinch			<b>TR=</b> Tape Reel

**2 POGO PIN with Plastic**  
Part No.: **TA23B3105**

DRW:	Jason	CHKD	Wilson	MATL:	Wilson	TOLERANCE	Mason	DATE	22.11.2017	Customer:
APPD:	Schumi			FINISH	Jamy		Sheet No.	2 from 3		



Soldering Profile Curve

Classification Reflow Profile (JEDEC J-STD-020C)



<b>2 POGO PIN with Plastic</b>
Part No.: <b>TA23B3105</b>
Customer:

DRW:	Jason	CHKD	Wilson	MATL:	Wilson	TOLERANCE	Mason	DATE	22.11.2017
APPD:	Schumi			FINISH	Jamy		Sheet No.	3 from 3	