

# EDCON-COMPONENTS



## Technical Discription

### 1 Material:

Material Body: C2700  
 Gold Plated: 16-20µm  
 Nickel: 60-120µm  
 Material Needle: C3604  
 Gold Plated: 4-8µm  
 Nickel: 60-120µm  
 Spring: SUS304  
 Body: PA46

### 2 Mechanical Properties

Pitch: 3,5mm  
 Working height: 3,6~3,9mm  
 Elastic: 85 ± 15g

Lifetime: more than 10000 times

### 3 Electrical Performance:

4 Isolation Resistance: 500M Ohm min.  
 Withstanding Voltage: 500VAC/DC  
 Max. Rated Voltage: 36VDC dynamic range of work with impedance less than

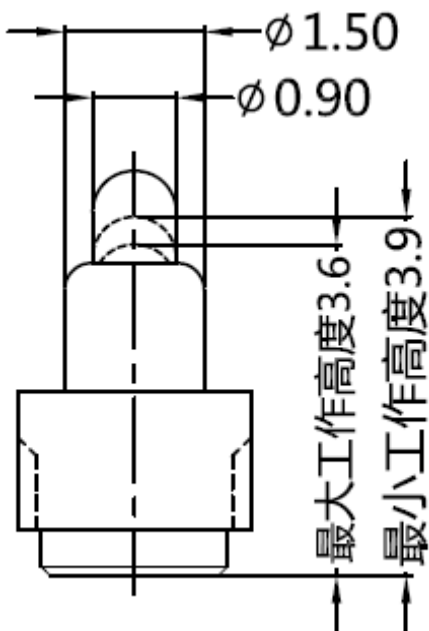
Contact Resistance: <30m Ohm

Rated current: 2,5A

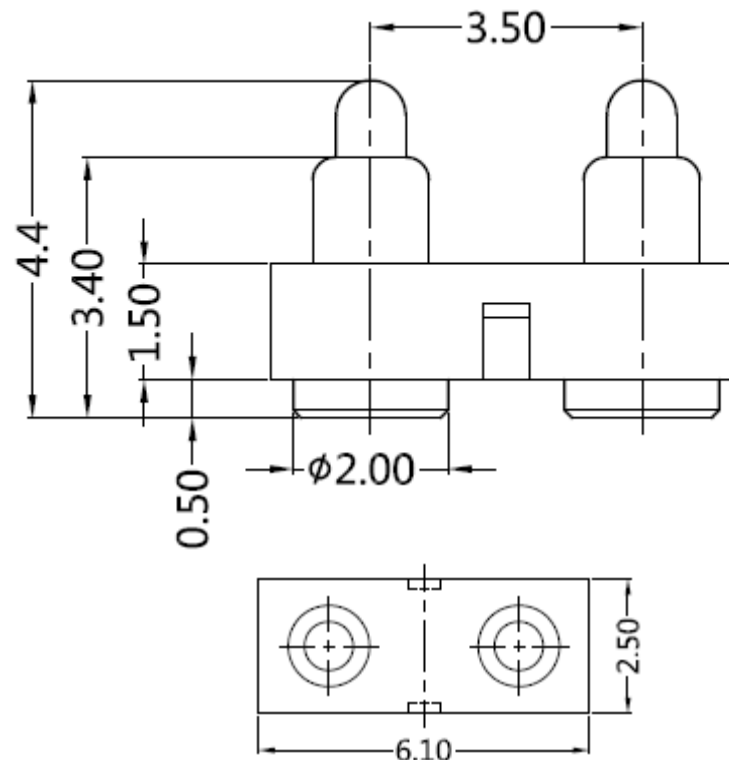
5 Packing Specification: EIA 481

6 Max. Soldering Temperature: 260°C

Operating Temperature: -40°C to +85°C



## Drawing



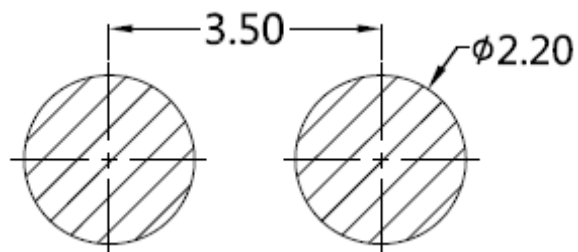
Tolerance				<b>2 POGO PIN with Plastic</b>
0.	0.0	0.00	0.000	
± -	± 0,30	± 0,15	± -	Part No.: <b>TA23B3080</b>
DRW: Jason	CHKD Wilson	MATL: Wilson	TOLERANCE Mason	DATE 22.11.2017
APPD: Schumi		FINISH Jamy	Sheet No.	1 from 3

DRW: Jason	CHKD Wilson	MATL: Wilson	TOLERANCE Mason	DATE 22.11.2017	Customer:
APPD: Schumi		FINISH Jamy	Sheet No.	1 from 3	

# EDCON-COMPONENTS



## PCB Layout ( mm)



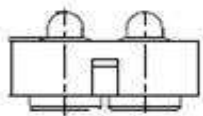
## Ordering Informations

Serie	Number of Position	Material Body	Material Needle	Contact Plat. Body	Contact Plat. Needle	Spezial Function	ROHS	Packing		
<b>TA23B3080</b>	<b>02</b>	<b>A</b>	<b>A</b>	<b>G0</b>	<b>G0</b>	<b>N</b>	<b>R</b>	<b>BU</b>		

<b>02=</b> Single Pole	<b>A=</b> Material C3604	<b>A=</b> Material C3604	<b>G0=</b> Gold Flash <16-20µinch	<b>G0=</b> Gold Flash 4-8µinch	<b>N=</b> No function	<b>R=</b> ROHS Conform	<b>BU=</b> Bulk-Ware Standard
	<b>B=</b> Material C2700	<b>B=</b> Material C2700					
			<b>NO=</b> Nickel 60-120µinch	<b>NO=</b> Nickel 60-120µinch			<b>TR=</b> Tape Reel

**2 POGO PIN with Plastic**  
Part No.: **TA23B3080**

DRW:	Jason	CHKD	Wilson	MATL:	Wilson	TOLERANCE	Mason	DATE	22.11.2017	Customer:
APPD:	Schumi			FINISH	Jamy		Sheet No.	2 from 3		



Soldering Profile Curve

Classification Reflow Profile (JEDEC J-STD-020C)



<b>2 POGO PIN with Plastic</b>
Part No.: <b>TA23B3080</b>
Customer:

DRW:	Jason	CHKD	Wilson	MATL:	Wilson	TOLERANCE	Mason	DATE	22.11.2017
APPD:	Schumi			FINISH	Jamy		Sheet No.	3 from 3	