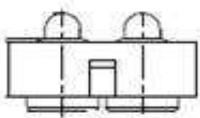


EDCON-COMPONENTS



Technical Discription

1 Material:

Material Body: C2700
 Gold Plated: 16-20µm
 Nickel: 60-120µm
 Material Needle: C3604
 Gold Plated: 4-8µm
 Nickel: 60-120µm
 Spring: SUS304
 Body: PA46

2 Mechanical Properties

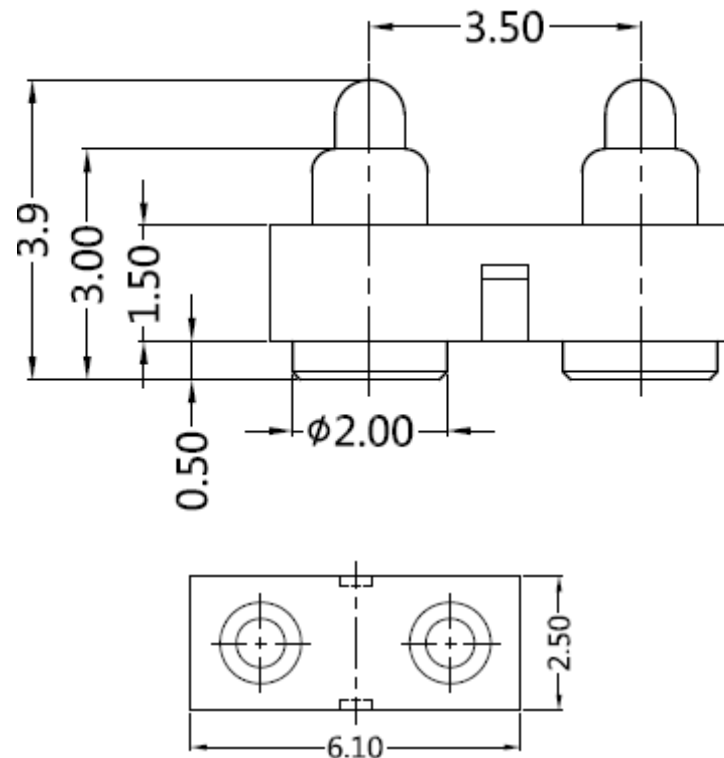
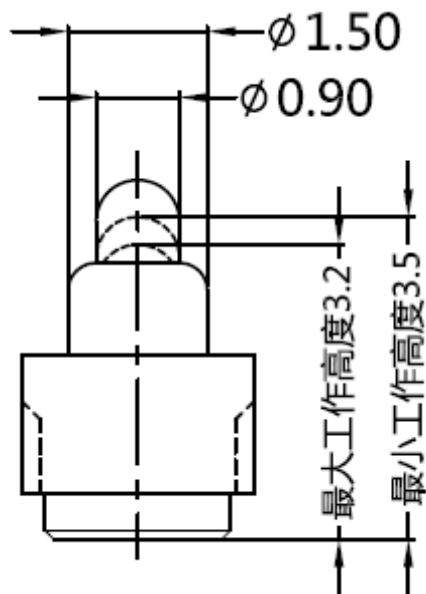
Pitch: 3,5mm
 Working height: 3,2~3,5mm
 Elastic: 85 ± 15g

Lifetime: more than 10000 times

3 Electrical Performance:

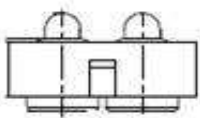
4 Isolation Resistance: 500M Ohm min.
 Withstanding Voltage: 500VAC/DC
 Max. Rated Voltage: 36VDC dynamic range of work with impedance less than
 Contact Resistance: <30m Ohm
 Rated current: 2,5A
 5 Packing Specification: EIA 481
 6 Max. Soldering Temperature: 260°C
 Operating Temperature: -40°C to +85°C

Drawing

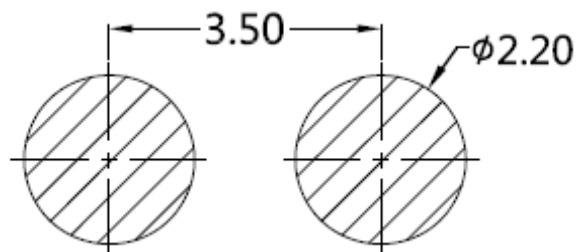


Tolerance				2 POGO PIN with Plastic
0.	0.0	0.00	0.000	
± -	± 0,30	± 0,15	± -	Part No.: TA23B3078
DRW: Jason	CHKD Wilson	MATL: Wilson	TOLERANCE Mason	Customer:
APPD: Schumi		FINISH Jamy	DATE 22.11.2017	
			Sheet No.	1 from 3

EDCON-COMPONENTS



PCB Layout (mm)



Ordering Informations

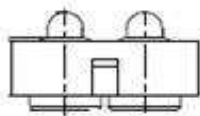
Serie	Number of Position	Material Body	Material Needle	Contact Plat. Body	Contact Plat. Needle	Spezial Function	ROHS	Packing		
TA23B3078	02	A	A	G0	G0	N	R	BU		

02= Single Pole	A= Material C3604	A= Material C3604	G0= Gold Flash <math>< 16-20\mu\text{inch}</math>	G0= Gold Flash 4-8 μinch	N= No function	R= ROHS Conform	BU= Bulk-Ware Standard
	B= Material C2700	B= Material C2700					
			NO= Nickel 60-120 μinch	NO= Nickel 60-120 μinch			TR= Tape Reel

2 POGO PIN with Plastic

Part No.: **TA23B3078**

DRW:	Jason	CHKD	Wilson	MATL:	Wilson	TOLERANCE	Mason	DATE	22.11.2017	Customer:
APPD:	Schumi			FINISH	Jamy		Sheet No.	2 from 3		



Soldering Profile Curve

Classification Reflow Profile (JEDEC J-STD-020C)



2 POGO PIN with Plastic

Part No.: **TA23B3078**

DRW:	Jason	CHKD	Wilson	MATL:	Wilson	TOLERANCE	Mason	DATE	22.11.2017	Customer:
APPD:	Schumi			FINISH	Jamy		Sheet No.	3 from 3		