



## Technical Discription

### 1 Material:

Material Body:	C2700
Gold Plated	16-20µm
Nickel	60-120µm
Material Needle	C3604
Gold Plated	4-8µm
Nickel	60-120µm
Spring:	SUS304

### 2 Mechanical Properties

Working height:	7,0~7,3mm
Elastic	100 ± 20g
Max. Compression stroke	1,3mm
Lifetime:more than	10000 times

### 3 Electrical Performance:

Max.Rated Voltage: 36VDC dynamic range of work with impedance less than

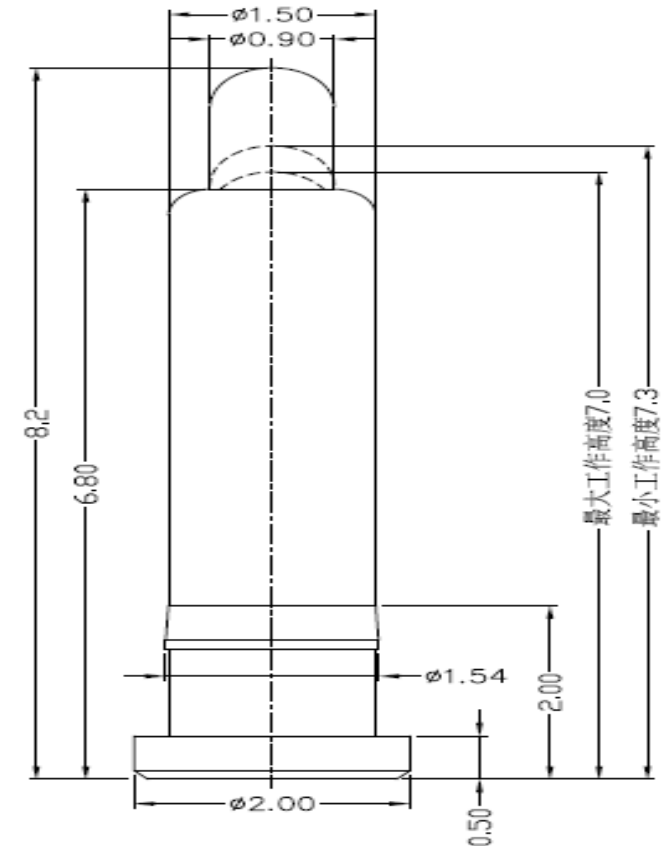
Contact Resistance: <30m Ohm

Rated current: 2,5A

### 4 Max.Soldering Temperature: 260°C

Operating Temperature: -40°C to +85°C

## Drawing



## SMD Single POGO PIN

Part No.: **TA23A826**

Customer:

DRW:	Jason	CHKD	Wilson	MATL:	Wilson	TOLERANCE	Mason	DATE	21.11.2017
APPD:	Schumi			FINISH	Jamy		Sheet No.		1 from 3

# EDCON-COMPONENTS



## Ordering Informations

Serie	Number of Position	Material Body	Material Needle	Contact Plat. Body	Contact Plat. Needle	Spezial Function	ROHS	Packing		
<b>TA23A826</b>	<b>01</b>	<b>A</b>	<b>A</b>	<b>G0</b>	<b>G0</b>	<b>N</b>	<b>R</b>	<b>BU</b>		

<b>01</b> = Single Pole	<b>A</b> = Material C3604	<b>A</b> = Material C3604	<b>G0</b> = Gold Flash <16-20µinch	<b>G0</b> = Gold Flash 4-8µinch	<b>N</b> = No function	<b>R</b> = ROHS Conform	<b>BU</b> = Bulk-Ware Standard
	<b>B</b> = Material C2700	<b>B</b> = Material C2700					
			<b>NO</b> = Nickel 60-120µinch	<b>NO</b> = Nickel 60-120µinch			<b>TR</b> = Tape Reel

**SMD Single POGO PIN**

Part No.: **TA23A826**

DRW:	Jason	CHKD	Wilson	MATL:	Wilson	TOLERANCE	Mason	DATE	21.11.2017	Customer:
APPD:	Schumi			FINISH	Jamy		Sheet No.		2 from 3	



Soldering Profile Curve

Classification Reflow Profile (JEDEC J-STD-020C)



**SMD Single POGO  
PIN**

Part No.: **TA23A826**

DRW:	Jason	CHKD	Wilson	MATL:	Wilson	TOLERANCE	Mason	DATE	21.11.2017	Customer:
APPD:	Schumi			FINISH	Jamy		Sheet No.	3 from 3		