



Technical Discription

1 Material:

| | |
|-----------------|----------|
| Material Body: | C2700 |
| Gold Plated | 16-20µm |
| Nickel | 60-120µm |
| Material Needle | C3604 |
| Gold Plated | 4-8µm |
| Nickel | 60-120µm |
| Spring: | SUS304 |

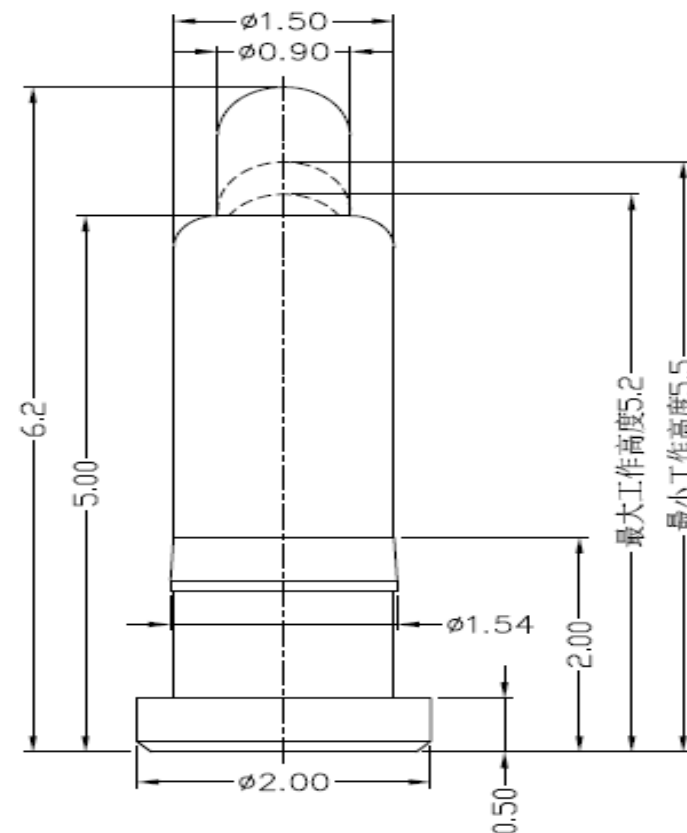
2 Mechanical Properties

| | |
|-------------------------|-------------|
| Working height: | 5,2~5,5mm |
| Elastic | 100 ± 20g |
| Max. Compression stroke | 1,1mm |
| Lifetime:more than | 10000 times |

3 Electrical Performance:

| | |
|------------------------------|--|
| Max.Rated Voltage: | 36VDC dynamic range of work with impedance less than |
| Contact Resistance: | <30m Ohm |
| Rated current: | 2,5A |
| 4 Max.Soldering Temperature: | 260°C |
| Operating Temperature: | .-40°C to +85°C |

Drawing



| | | | | | | | | | | | |
|-------|--------|------|--------|--------|--------|-----------|-----------|--------|----------|------------|----------------------------|
| | | | | | | | Tolerance | | | | SMD Single POGO PIN |
| | | | | | | | 0. | 0.0 | 0.00 | 0.000 | |
| DRW: | Jason | CHKD | Wilson | MATL: | Wilson | TOLERANCE | ± - | ± 0,30 | ± 0,15 | ± - | Customer: |
| APPD: | Schumi | | | FINISH | Jamy | | Mason | | DATE | 21.11.2017 | |
| | | | | | | | Sheet No. | | 1 from 3 | | |

EDCON-COMPONENTS



Ordering Informations

| Serie | Number of Position | Material Body | Material Needle | Contact Plat. Body | Contact Plat. Needle | Spezial Function | ROHS | Packing | | |
|-----------------|--------------------|---------------|-----------------|--------------------|----------------------|------------------|----------|-----------|--|--|
| TA23A817 | 01 | A | A | G0 | G0 | N | R | BU | | |

| | | | | | | | |
|-------------------------|---------------------------|---------------------------|------------------------------------|---------------------------------|------------------------|-------------------------|--------------------------------|
| 01 = Single Pole | A = Material C3604 | A = Material C3604 | G0 = Gold Flash <16-20µinch | G0 = Gold Flash 4-8µinch | N = No function | R = ROHS Conform | BU = Bulk-Ware Standard |
| | B = Material C2700 | B = Material C2700 | | | | | |
| | | | NO = Nickel 60-120µinch | NO = Nickel 60-120µinch | | | TR = Tape Reel |

SMD Single POGO PIN

Part No.: **TA23A817**

| | | | | | | | | | |
|-------|--------|------|--------|--------|--------|-----------|-----------|------|------------|
| DRW: | Jason | CHKD | Wilson | MATL: | Wilson | TOLERANCE | Mason | DATE | 21.11.2017 |
| APPD: | Schumi | | | FINISH | Jamy | | Sheet No. | | 2 from 3 |

Customer:



Soldering Profile Curve

Classification Reflow Profile (JEDEC J-STD-020C)



**SMD Single POGO
PIN**

Part No.: **TA23A817**

| | | | | | | | | | |
|-------|--------|------|--------|--------|--------|-----------|-----------|----------|------------|
| DRW: | Jason | CHKD | Wilson | MATL: | Wilson | TOLERANCE | Mason | DATE | 21.11.2017 |
| APPD: | Schumi | | | FINISH | Jamy | | Sheet No. | 3 from 3 | Customer: |