



## Technical Discription

## Drawing

### 1 Material:

Material Body:	C2700
Gold Plated	16-20µm
Nickel	60-120µm
Material Needle	C3604
Gold Plated	4-8µm
Nickel	60-120µm
Spring:	SUS304

### 2 Mechanical Properties

Working height:	2,6~2,8mm
Elastic	85 ± 15g
Max. Compression stroke	0,7mm
Lifetime:more than	10000 times

### 3 Electrical Performance:

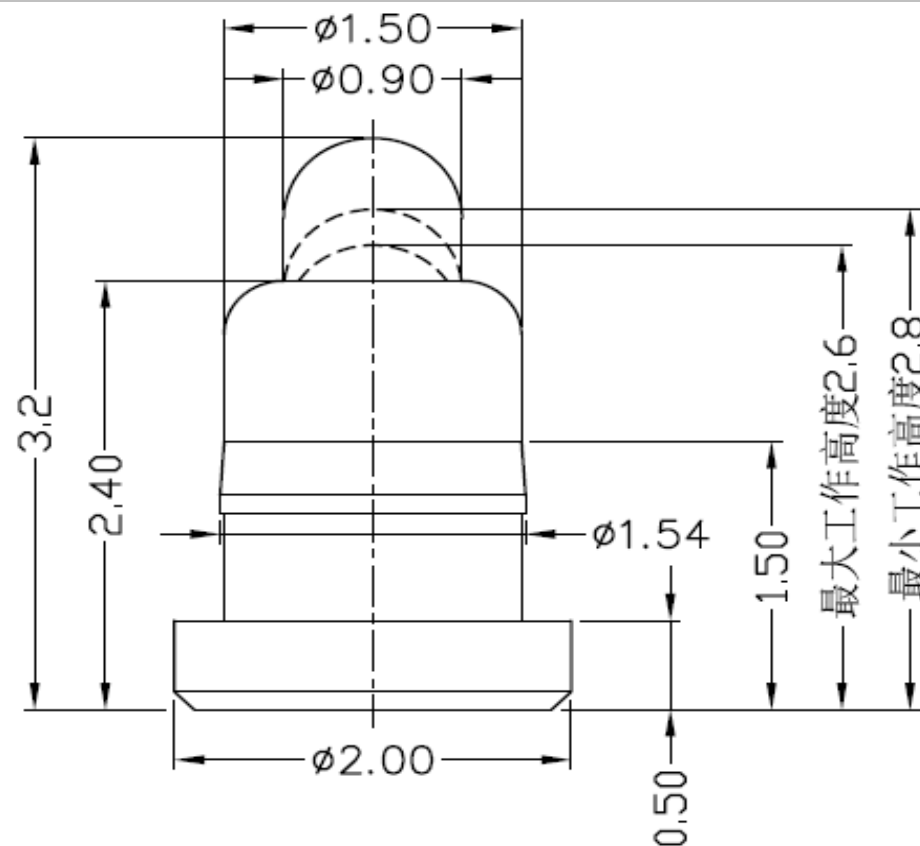
Max.Rated Voltage: 36VDC dynamic range of work with impedance less than

Contact Resistance: <30m Ohm

Rated current: 2,5A

### 4 Max.Soldering Temperature: 260°C

Operating Temperature: -40°C to +85°C



Tolerance			
0.	0.0	0.00	0.000
± -	± 0,30	± 0,15	± -
TOLERANCE	Mason	DATE	21.11.2017
	Sheet No.		1 from 3

<b>SMD Single POGO PIN</b>	
Part No.:	<b>TA23A804</b>
Customer:	

DRW:	Jason	CHKD	Wilson	MATL:	Wilson
APPD:	Schumi			FINISH	Jamy

# EDCON-COMPONENTS



## Ordering Informations

Serie	Number of Position	Material Body	Material Needle	Contact Plat. Body	Contact Plat. Needle	Spezial Function	ROHS	Packing		
<b>TA23A804</b>	<b>01</b>	<b>A</b>	<b>A</b>	<b>G0</b>	<b>G0</b>	<b>N</b>	<b>R</b>	<b>BU</b>		

<b>01</b> = Single Pole	<b>A</b> = Material C3604	<b>A</b> = Material C3604	<b>G0</b> = Gold Flash <16-20µinch	<b>G0</b> = Gold Flash 4-8µinch	<b>N</b> = No function	<b>R</b> = ROHS Conform	<b>BU</b> = Bulk-Ware Standard
	<b>B</b> = Material C2700	<b>B</b> = Material C2700					
			<b>NO</b> = Nickel 60-120µinch	<b>NO</b> = Nickel 60-120µinch			<b>TR</b> = Tape Reel

**SMD Single POGO PIN**

Part No.: **TA23A804**

DRW:	Jason	CHKD	Wilson	MATL:	Wilson	TOLERANCE	Mason	DATE	21.11.2017
APPD:	Schumi			FINISH	Jamy		Sheet No.		2 from 3

Customer:



Soldering Profile Curve

Classification Reflow Profile (JEDEC J-STD-020C)



<b>SMD Single POGO PIN</b>	
Part No.:	<b>TA23A804</b>
Customer:	

DRW:	Jason	CHKD	Wilson	MATL:	Wilson	TOLERANCE	Mason	DATE	21.11.2017
APPD:	Schumi			FINISH	Jamy		Sheet No.	3 from 3	