

## Technical Discription

## Drawing

### 1 Material:

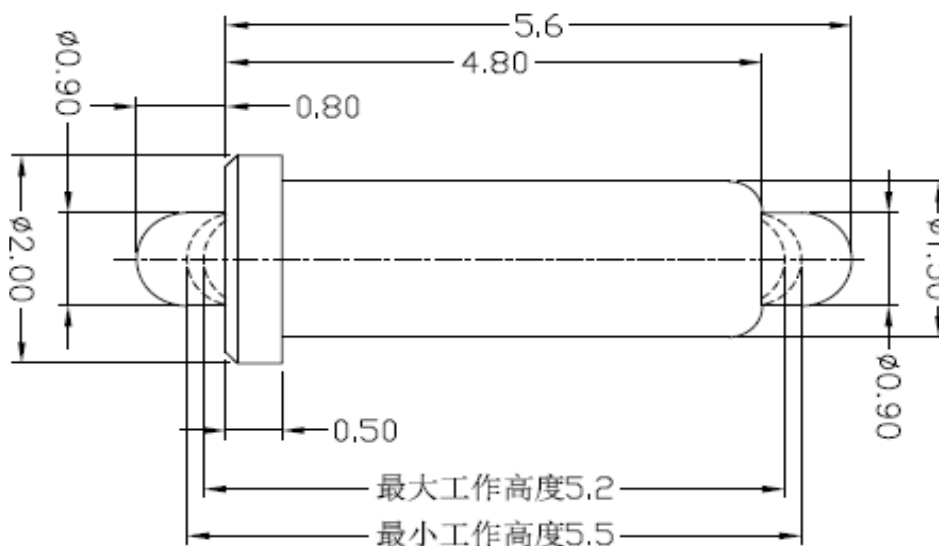
|                 |          |
|-----------------|----------|
| Material Body:  | C2700    |
| Gold Plated     | 16-20µm  |
| Nickel          | 60-120µm |
| Material Needle | C3604    |
| Gold Plated     | 4-8µm    |
| Nickel          | 60-120µm |
| Spring:         | SUS304   |

### 2 Mechanical Properties

|                         |             |
|-------------------------|-------------|
| Working height:         | 5,2~5,5mm   |
| Elastic                 | 85 ± 15g    |
| Max. Compression stroke | 1,3mm       |
| Lifetime:more than      | 10000 times |

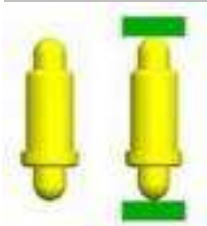
### 3 Electrical Performance:

|                              |  |
|------------------------------|--|
| Max.Rated Voltage:           | 36VDC dynamic range of work with impedance less than |
| Contact Resistance:          | <30m Ohm   |
| Rated current:               | 2,5A   |
| 4 Max.Soldering Temperature: | 260°C  |
| Operating Temperature:       | .-40°C to +85°C                                      |



|       |        |      |        |        |        |           |           |        |            |       |                        |
|-------|--------|------|--------|--------|--------|-----------|-----------|--------|------------|-------|------------------------|
|       |        |      |        |        |        |           | Tolerance |        |            |       | <b>Single POGO PIN</b> |
|       |        |      |        |        |        |           | 0.        | 0.0    | 0.00       | 0.000 |                        |
|       |        |      |        |        |        |           | ± -       | ± 0,30 | ± 0,15     | ± -   | Customer:              |
| DRW:  | Jason  | CHKD | Wilson | MATL:  | Wilson | TOLERANCE | Mason     | DATE   | 11.12.2017 |       |                        |
| APPD: | Schumi |      |        | FINISH | Jamy   |           | Sheet No. |        | 1 from 3   |       |                        |

# EDCON-COMPONENTS



## Ordering Informations

| Serie | Number of Position | Material Body | Material Needle | Contact Plat. Body | Contact Plat. Needle | Spezial Function | ROHS | Packing |  |  |
|-------|--------------------|---------------|-----------------|--------------------|----------------------|------------------|------|---------|--|--|
|-------|--------------------|---------------|-----------------|--------------------|----------------------|------------------|------|---------|--|--|

|                  |           |          |          |           |           |          |          |           |  |  |
|------------------|-----------|----------|----------|-----------|-----------|----------|----------|-----------|--|--|
| <b>TA23A4010</b> | <b>01</b> | <b>A</b> | <b>A</b> | <b>G0</b> | <b>G0</b> | <b>N</b> | <b>R</b> | <b>BU</b> |  |  |
|------------------|-----------|----------|----------|-----------|-----------|----------|----------|-----------|--|--|

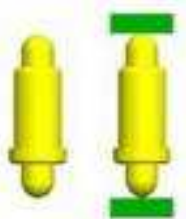
|                         |                           |                           |                                    |                                 |                        |                         |                                |
|-------------------------|---------------------------|---------------------------|------------------------------------|---------------------------------|------------------------|-------------------------|--------------------------------|
| <b>01</b> = Single Pole | <b>A</b> = Material C3604 | <b>A</b> = Material C3604 | <b>G0</b> = Gold Flash <16-20µinch | <b>G0</b> = Gold Flash 4-8µinch | <b>N</b> = No function | <b>R</b> = ROHS Conform | <b>BU</b> = Bulk-Ware Standard |
|                         | <b>B</b> = Material C2700 | <b>B</b> = Material C2700 |                                    |                                 |                        |                         |                                |
|                         |                           |                           | <b>NO</b> = Nickel 60-120µinch     | <b>NO</b> = Nickel 60-120µinch  |                        |                         |                                |

**Single POGO PIN**

Part No.: **TA23A4010**

|       |        |      |        |        |        |           |           |      |            |
|-------|--------|------|--------|--------|--------|-----------|-----------|------|------------|
| DRW:  | Jason  | CHKD | Wilson | MATL:  | Wilson | TOLERANCE | Mason     | DATE | 11.12.2017 |
| APPD: | Schumi |      |        | FINISH | Jamy   |           | Sheet No. |      | 2 from 3   |

Customer:



Soldering Profile Curve

Classification Reflow Profile (JEDEC J-STD-020C)



|                            |
|----------------------------|
| <b>Single POGO PIN</b>     |
| Part No.: <b>TA23A4010</b> |
| Customer:                  |

|       |        |      |        |        |        |           |           |          |            |
|-------|--------|------|--------|--------|--------|-----------|-----------|----------|------------|
| DRW:  | Jason  | CHKD | Wilson | MATL:  | Wilson | TOLERANCE | Mason     | DATE     | 11.12.2017 |
| APPD: | Schumi |      |        | FINISH | Jamy   |           | Sheet No. | 3 from 3 |            |