

## Technical Discription

## Drawing

### 1 Material:

Material Body:	C2700
Gold Plated	16-20µm
Nickel	60-120µm
Material Needle	C3604
Gold Plated	4-8µm
Nickel	60-120µm
Spring:	SUS304

### 2 Mechanical Properties

Working height:	4,4-4,7mm
Elastic	85 ± 15g
Max. Compression stroke	1,1mm
Lifetime:more than	10000 times

### 3 Electrical Performance:

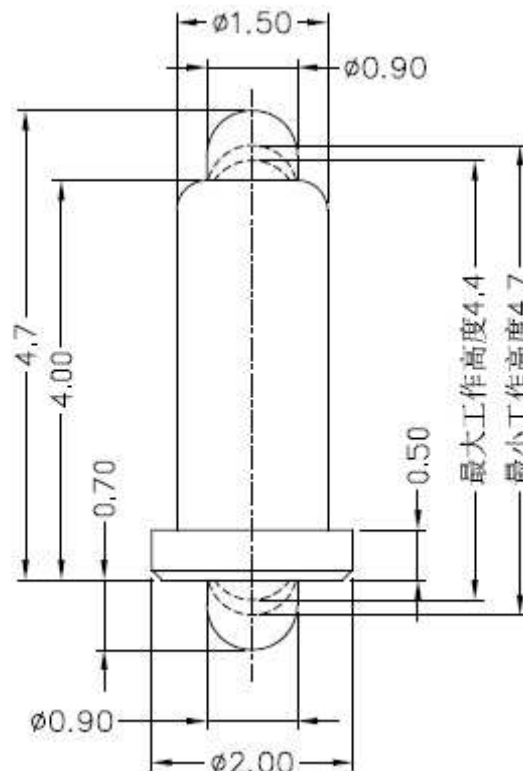
Max.Rated Voltage: 36VDC dynamic range of work with impedance less than

Contact Resistance: <30m Ohm

Rated current: 2,5A

### 4 Max.Soldering Temperature: 260°C

Operating Temperature: -40°C to +85°C



Tolerance			
0.	0.0	0.00	0.000
± -	± 0,30	± 0,15	± -
TOLERANCE	Mason	DATE	11.12.2017
Sheet No.			1 from 3

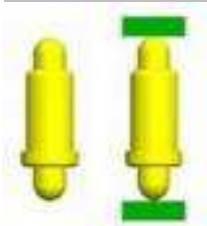
## Single POGO PIN

Part No.: **TA23A4006**

Customer:

DRW:	Jason	CHKD	Wilson	MATL:	Wilson	TOLERANCE	Mason	DATE	11.12.2017
APPD:	Schumi			FINISH	Jamy	Sheet No.		1 from 3	

# EDCON-COMPONENTS



## Ordering Informations

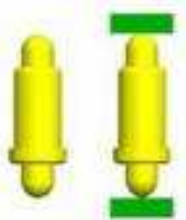
Serie	Number of Position	Material Body	Material Needle	Contact Plat. Body	Contact Plat. Needle	Spezial Function	ROHS	Packing		
TA23A4006	01	A	A	G0	G0	N	R	BU		

01= Single Pole	A= Material C3604	A= Material C3604	G0= Gold Flash <16-20µinch	G0= Gold Flash 4-8µinch	N= No function	R= ROHS Conform	BU= Bulk-Ware Standard
	B= Material C2700	B= Material C2700					
			NO= Nickel 60-120µinch	NO= Nickel 60-120µinch			

**Single POGO PIN**

Part No.: **TA23A4006**

DRW:	Jason	CHKD	Wilson	MATL:	Wilson	TOLERANCE	Mason	DATE	11.12.2017	Customer:
APPD:	Schumi			FINISH	Jamy		Sheet No.	2 from 3		



Soldering Profile Curve

Classification Reflow Profile (JEDEC J-STD-020C)



**Single POGO PIN**

Part No.: **TA23A4006**

DRW:	Jason	CHKD	Wilson	MATL:	Wilson	TOLERANCE	Mason	DATE	11.12.2017
APPD:	Schumi			FINISH	Jamy		Sheet No.	3 from 3	Customer: