

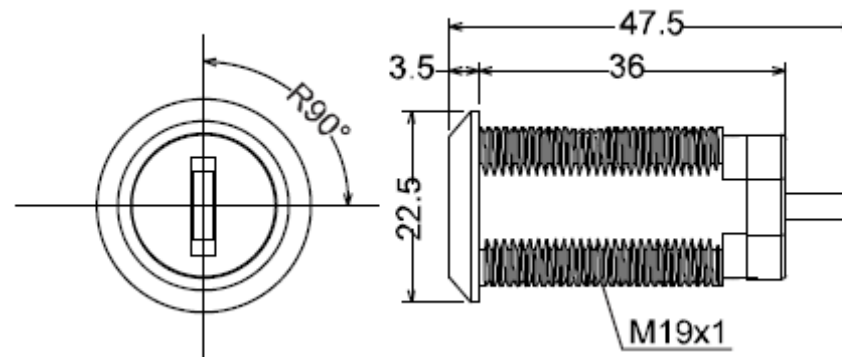
EDCON-COMPONENTS



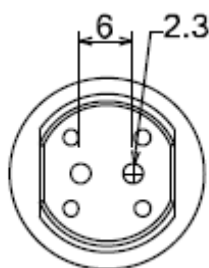
Specifications

Voltage Rating:	250V / 125V
Current Rating:	0,5A / 1,0A
Contact Material:	Silver plated
Wire Connecting:	Solder Lug Terminal
Housing:	Zinc Alloy
Finisch:	Bright Chrome plated (Standard)
Mounting in Hole:	with Hex Nut
Switch function:	Off-On
Keys per Switch	Two
Hole size:	19,5mm

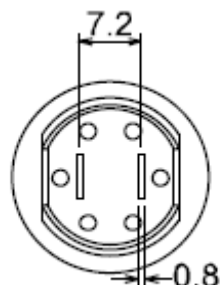
Drawing (dimensions all into mm)



Terminal Options



Solder Lug-Terminal



Flat-Terminal

KEYLOCK Switch

Part No.: **Q44001-**

DRW:	Jason	CHKD	Wilson	MATL:	Wilson	TOLERANCE	Mason	DATE	25.07.2016
APPD:	Schumi			FINISH	Jamy		Sheet No.		1 from 2

Customer:

www.edcon-components.com

email: info@edcon-components.com

EDCON-COMPONENTS



Ordering Informations

Serie	Switch function	different Keys	Terminal	Special function	Special function	ROHS	Packing			
-------	-----------------	----------------	----------	------------------	------------------	------	---------	--	--	--

Q44001-	A	1	A	N	N	R	BU			
----------------	----------	----------	----------	----------	----------	----------	-----------	--	--	--

A= Key-Pull in OFF Position	1= All Keys the same Code	A= Solder Lug Terminal B= Flat-Terminal	N= No Special function	N= No Special function	R= ROHS Conform N= NON ROHS Conform	BU= One Key in one Polybag			
	2= All Keys Different Code					I= Individual Packing			

KEYLOCK Switch
Part No.: Q44001-
Customer:

DRW:	Jason	CHKD	Wilson	MATL:	Wilson	TOLERANCE	Mason	DATE	25.07.2016
APPD:	Schumi			FINISH	Jamy		Sheet No.		2 from 2